



MASON INDUSTRIES, Inc.
Manufacturers of Vibration Control Products

350 Rabro Drive Hauppauge, NY 11788 631/348-0282
 2101 W. Crescent Ave., Suite D Anaheim, CA 92801 714/535-2727
 FAX 631/348-0279 Info@Mason-Ind.com www.Mason-Ind.com
 FAX 714/535-5738 Info@MasonAnaheim.com www.MasonAnaheim.com

CERTIFIED FOR _____

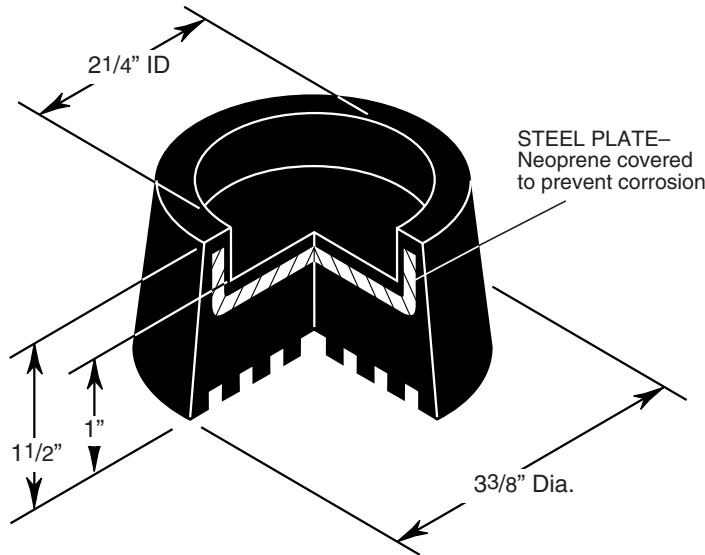
JOB NAME _____

CUSTOMER _____

CUSTOMER P.O. _____

MASON M. _____ DWG No. _____

TYPE
BM
 Neoprene
 Cup Mounts



TYPE BM RATINGS

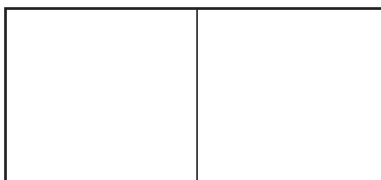
Size (Color Mark)	Duro-meter	Rated Capacity Range (lbs)	Max Rated Defl (in)
BM-Green	40	Up to 225	0.20
BM-Red	50	175-400	
BM-White	60	300-625	

CERTIFICATION DATA

_____ inch SPECIFIED DEFLECTION

TAG _____

UNIT _____



PLAN VIEW OF MOUNT LOCATION

1	2
3	4
5	6
7	8
9	10
MATERIAL FOR ONE SET _____ SETS REQUIRED	

DWN _____ CHKD _____ DATE _____

DWG No. _____