



MASON INDUSTRIES, Inc.

Manufacturers of Vibration Control Products
 NY Mailing Address: PO Box 410, Smithtown, NY 11787
 350 Rabro Drive 2101 W. Crescent Ave., Suite D
 Hauppauge, NY 11788 Anaheim, CA 92801
 631/348-0282 714/535-2727
 FAX 631/348-0279 FAX 714/535-5738
 Info@Mason-Ind.com Info@MasonAnaheim.com

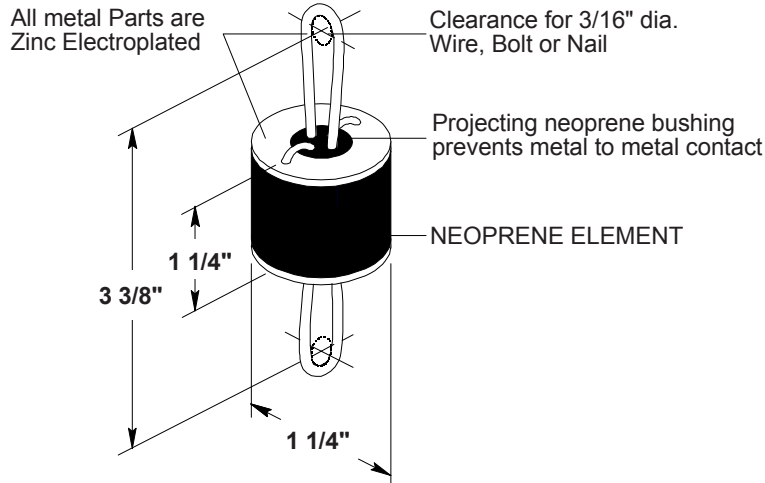
CERTIFIED FOR

JOB NAME :
 CUSTOMER :
 CUSTOMER P.O. :
 MASON M.I. :
 DWG. NO. :

TYPE

WHR

Neoprene
 Ceiling Hangers



TYPE WHR RATINGS

Size (Duro-meter)	Rated Capacity Range [lbs]	Rated Defl. [in]	Color Mark
WHR-40	Up to 60	0.20	Green
WHR-50	55-95	0.20	Red
WHR-60	90-155	0.20	White
WHR-70	150-220	0.20	Yellow

Hanger elements have straight line deflection curves.

NOTE - Tested to Failure at 1200 lbs.

CERTIFICATION DATA

_____ inch SPECIFIED DEFLECTION

TAG : _____

UNIT : _____

DWN : _____ CHKD: _____ DATE : _____

DWG NO. : _____