



# MASON INDUSTRIES, Inc.

Manufacturers of Vibration Control Products

NY Mailing Address: PO Box 410, Smithtown, NY 11787

350 Rabro Drive 2101 W. Crescent Ave., Suite D  
 Hauppauge, NY 11788 Anaheim, CA 92801  
 631/348-0282 714/535-2727  
 FAX 631/348-0279 FAX 714/535-5738  
 Info@Mason-Ind.com Info@MasonAnaheim.com

## CERTIFIED FOR

JOB NAME :  
 CUSTOMER :  
 CUSTOMER P.O. :  
 MASON M.I. :  
 DWG. NO. :

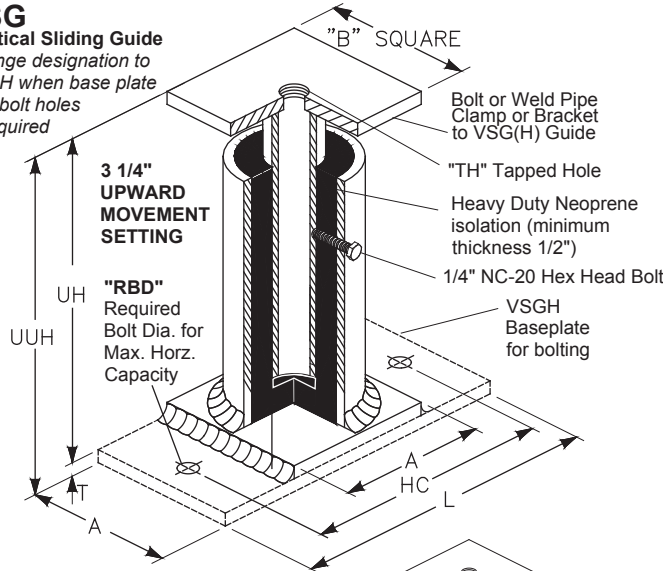
## TYPE

# VSG (H)

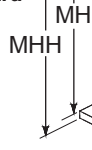
Vertical  
 Sliding  
 Pipe Guides

### VSG

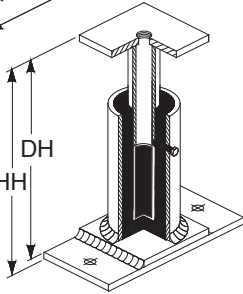
**Vertical Sliding Guide**  
 Change designation to VSGH when base plate with bolt holes is required



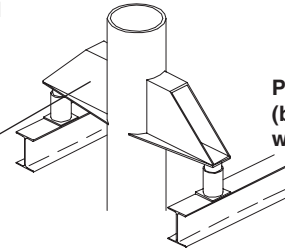
1 5/8" Upward or Downward Movement Setting



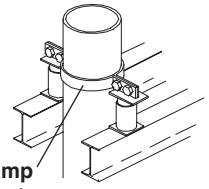
3 1/4" Downward Movement Setting



Mason Bracket Welded to Pipe (Custom designed for wide or irregular structural support spacing)



Pipe Clamp (by others) welded to pipe



### TYPE VSG and VSGH RATINGS

Type	Size	Horizontal Capacity per Pair (lbs)	Possible Horizontal Deflection (in)	For use with Pipe Sizes
VSG-	75	1,000	0.1	thru 5"
VSG(H)	200	8,000	0.1	6" thru 12"
	350	11,300	0.1	14" thru 24"

Each pair of VSG(H)guides provides high frequency noise and vibration isolation for those locations where movement must be guided in the axial direction.

Standard VSG(H) Guides can be set to accommodate:  
 a: 0 Upward Movement and 3 1/4" Downward Movement.  
 b: 3 1/4" Upward Movement and 0 Downward Movement.  
 c: 1 5/8" Upward or Downward Movement.  
 d: Special settings as required and certified.

Guides are always used in pairs.

When pairs of VSG(H) Guides are used as shown in the illustrations below right, radial motion is controlled while axial motion is guided.

### TYPE VSG and VSGH DIMENSIONS (inches)

TYPE	Size	A	B	L	T	HC	RBD	TH	3 1/4" Downward Movement		3 1/4" Upward Movement		1 5/8" Upward or Downward Movement	
									DH	DHH	UH	UHH	MH	MHH
VSG-	75	3	3	6 1/4	1/4	5	3/8	1/2-13 UNC	10 1/4	10 1/2	7	7 1/4	8 5/8	8 7/8
VSGH-	200	4 1/2	4	9 3/4	3/8	8	5/8	7/8- 9 UNC	10 1/2	10 7/8	7 1/4	7 5/8	8 7/8	9 1/4
VSGH-	350	6	5	11	1/2	9	3/4	1 - 8 UNC	10 3/4	11 1/4	7 1/2	8	9 1/8	9 5/8

### CERTIFICATION DATA

---



---



---

DWN :                      CHKD :                      DATE :

DWG NO. :