



MASON INDUSTRIES, Inc.

Manufacturers of Vibration Control Products

NY Mailing Address: PO Box 410, Smithtown, NY 11787

350 Rabro Drive 2101 W. Crescent Ave., Suite D
 Hauppauge, NY 11788 Anaheim, CA 92801
 631/348-0282 714/535-2727
 FAX 631/348-0279 FAX 714/535-5738
 Info@Mason-Ind.com Info@MasonAnaheim.com

CERTIFIED FOR

JOB NAME :
 CUSTOMER :
 CUSTOMER P.O. :
 MASON M.I. :
 DWG. NO. :

TYPE

SSLFH

1" (25) Deflection
 X Spring Series
 Seismic mounts

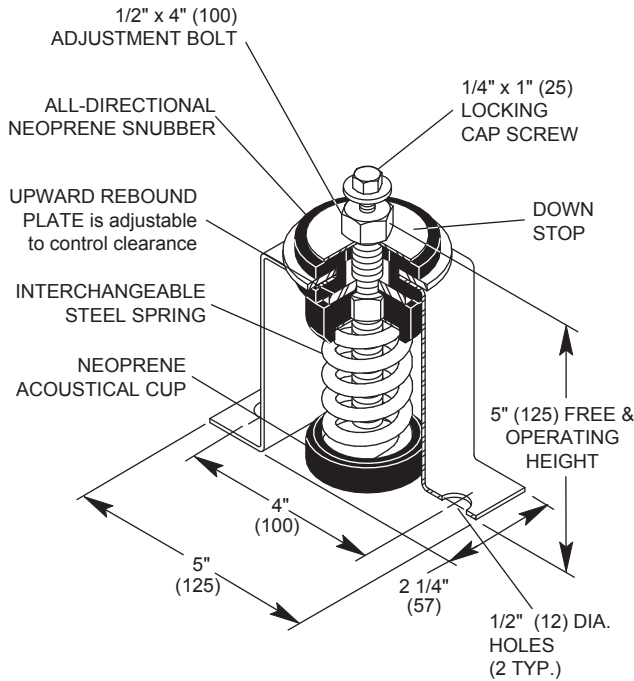
TYPE SSLFH RATINGS

Size	Rated Capacity		Rated Defl.		Spring Constant		Spring Color	Max Horiz. Rate
	[lbs]	[kg]	[in]	[mm]	[lbs/in]	[kg/mm]		
SSLFH-X-23	23	10	1.30	33	18	0.31	Brown	15.7
SSLFH-X-33	33	15	1.10	28	30	0.54	Red	10.9
SSLFH-X-54	54	25	1.20	30	45	0.82	White	6.7
SSLFH-X-76	76	35	1.02	26	73	1.33	Black	4.7
SSLFH-X-113	113	51	1.00	25	113	2.05	Yellow	3.2
SSLFH-X-130	130	59	1.00	25	130	2.36	Purple	2.8
SSLFH-X-175	175	79	1.00	25	175	3.20	Silver	2.1
SSLFH-X-210	210	95	1.00	25	210	3.82	Blue	1.7

* Horizontal G Ratings are for quick reference only-
 Use OSHPD Rated Load Curves.

SPRING DATA

Size	Spring OD [in]	Free Height [in]	Ratio K_x/K_y	Ratio OD/OH
23-130	1 1/2	38	2 3/8	0.86-1.00
175-210	1 1/2	38	2 5/8	0.75



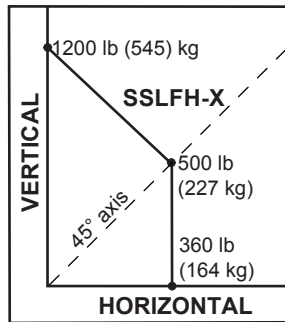
OSHPD Rated Load Curves (lbs)

Horizontal and Vertical plotted Ratings are California OSHPD approved values having the OSHPD Anchorage Proapproval Number OPA-0199. Testing and calculations were performed to meet OSHPD criteria.

To use approved OSHPD rated load curves:

- 1 Calculate Vertical & Horizontal Forces on mounting including translations and overturning moments.
- 2 Plot Horizontal Load vs Vertical Load. The point must fall in the area below the OSHPD curve.

OSHPD OPA-0199 Rated Load Curves- lbs(kg)



1. Remove locking cap screws and place mountings under holes in equipment base.
2. Shim mountings level before securing.
3. In all mounting locations, pass cap screws through holes in equipment base and screw loosely into leveling bolts.
4. Take two full counter-clockwise turns on leveling bolt and continue even adjustment of all mounts until all springs are loaded and mountings are back to Free and Operating Height.
5. Take no more than two additional counter-clockwise turns on any leveling bolt to level equipment.
6. Tighten cap screws to secure equipment.
7. Adjust plates so there is 1/8" [3] clearance between top of plate and underside of all-directional neoprene cushion. Turn rebound plates clockwise to lower, counter-clockwise to raise.

CERTIFICATION DATA

TAG : _____

UNIT : _____

PLAN VIEW OF MOUNT LOCATION



SPECIFIED DEFLECTION

1 :	6 :
2 :	7 :
3 :	8 :
4 :	9 :
5 :	10 :
Material for One Set :	
Sets Required	

DWN : _____ CHKD : _____ DATE : _____

DWG NO. : _____