



MASON INDUSTRIES, Inc.

Manufacturers of Vibration Control Products
 NY Mailing Address: PO Box 410, Smithtown, NY 11787
 350 Rabro Drive 2101 W. Crescent Ave., Suite D
 Hauppauge, NY 11788 Anaheim, CA 92801
 631/348-0282 714/535-2727
 FAX 631/348-0279 FAX 714/535-5738
 Info@Mason-Ind.com Info@MasonAnaheim.com

CERTIFIED FOR

JOB NAME :
 CUSTOMER :
 CUSTOMER P.O. :
 MASON M.I. :
 DWG. NO. :

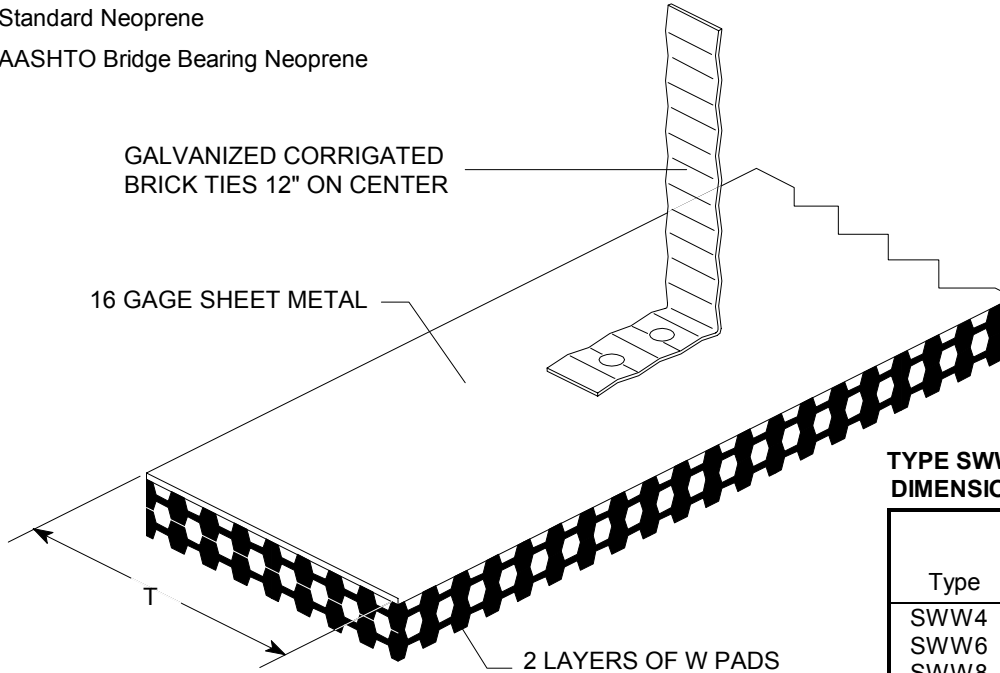
TYPE

SWW

Sheet Metal
 2-Layer "W" Pad
 Wall Support

MATERIAL:

- Standard Neoprene
- AASHTO Bridge Bearing Neoprene



TYPE SWW DIMENSIONS and LOAD RATINGS

Type	Wall Thickness T [in]	Max. Load ^{**} @ 50 lbs/in ² [lbs]
SWW4	4	1440
SWW6	6	2160
SWW8	8	2880
SWW10	10	3600
SWW12	12	4320

^{**}Standard 40 Durometer

CERTIFICATION DATA

DWN :	CHKD:	DATE :
-------	-------	--------

DWG NO. :
