



# MASON INDUSTRIES, Inc.

Manufacturers of Vibration Control Products  
 NY Mailing Address: PO Box 410, Smithtown, NY 11787  
 350 Rabro Drive 2101 W. Crescent Ave., Suite D  
 Hauppauge, NY 11788 Anaheim, CA 92801  
 631/348-0282 714/535-2727  
 FAX 631/348-0279 FAX 714/535-5738  
 Info@Mason-Ind.com Info@MasonAnaheim.com

CERTIFIED FOR

JOB NAME : \_\_\_\_\_

CUSTOMER : \_\_\_\_\_

CUSTOMER P.O. : \_\_\_\_\_

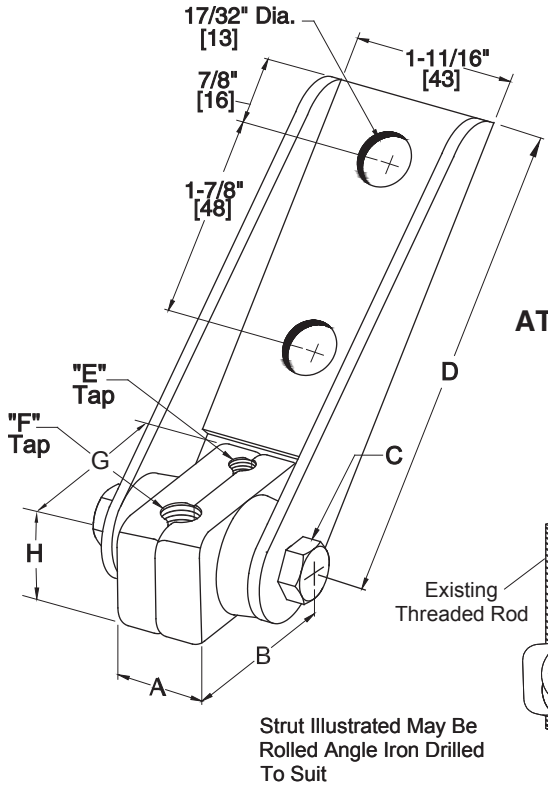
MASON M.I. : \_\_\_\_\_

DWG. NO. : \_\_\_\_\_

TYPE

# SSRF

Solid Seismic  
Retro Fit

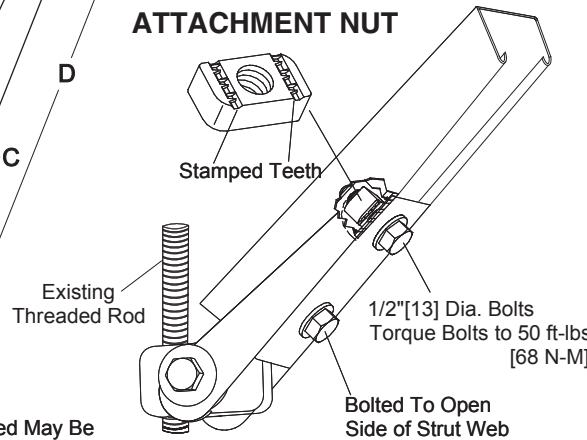


## Solid Seismic Retro Fit Strut Anchor

Ratings are from test data and calculations used to obtain California OSHPD Preapproval Number OPA-0349. Testing was supervised and certified by an independent engineer registered in the State of California. Ratings are based on attachment to steel. Preferred installation angle is 45° Maximum variation ±15°.

NOTE: Not to be used as a vertical hanger for equipment, duck work or piping. To be used as a seismic restraint only.

### ATTACHMENT NUT



### TYPE SSRF ASSEMBLY RATING

Size	OSHPD Max Ratings	
	(lbs)	(kg)
SSRF-1	2400	1091
SSRF-2	2730	1241

Finish: All Parts are Zinc Electro Plated

### TYPE SSRF ANCHOR DIMENSIONS - in [mm]

Size	A	B	C	D	E	F	G	H
SSRF-1	3/4 [19]	1 [25]	3/8-16 UNC x 2-1/2	4-5/8 [117]	3/8-16 UNC	1/2-13 UNC	2 [51]	1-1/4 [32]
SSRF-2	1-1/8 [28]	1-5/16 [33]	1/2-13 UNC x 2-1/2	5 [127]	5/8-11 UNC	3/4-10 UNC	2-5/8 [67]	1-5/8 [41]

### CERTIFICATION DATA

TAG : \_\_\_\_\_

UNIT : \_\_\_\_\_

DWN : \_\_\_\_\_ CHKD: \_\_\_\_\_ DATE : \_\_\_\_\_

DWG NO. : \_\_\_\_\_