

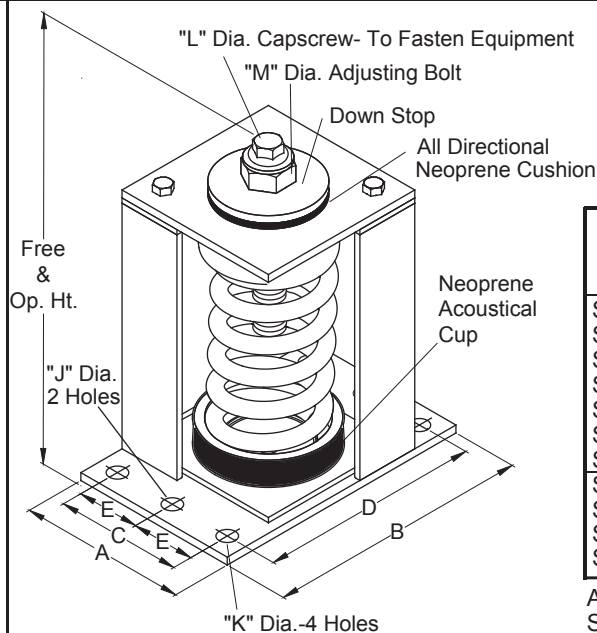
# MASON INDUSTRIES, Inc.

Manufacturers of Vibration Control Products  
 NY Mailing Address: PO Box 410, Smithtown, NY 11787  
 350 Rabro Drive 2101 W. Crescent Ave., Suite D  
 Hauppauge, NY 11788 Anaheim, CA 92801  
 631/348-0282 714/535-2727  
 FAX 631/348-0279 FAX 714/535-5738  
 Info@Mason-Ind.com Info@MasonAnaheim.com

## CERTIFIED FOR

JOB NAME :  
 CUSTOMER :  
 CUSTOMER P.O. :  
 MASON M.I. :  
 DWG. NO. :

TYPE  
**SSLFH**  
 2" Deflection  
 100 Series  
 Seismic  
 Spring Mountings



### TYPE SSLFH LOAD RATINGS

Size	Rated Capacity [lbs]	Rated Defl. [in]	Mount Constant [lbs/in]	OD [in]	Spring Only Ht [in]	Spring Color/Stripe	Maximum G Rating
SSLFH-101	125	2.50	50	3 3/4	5 3/4	Purple	11.2
SSLFH-102	200	2.50	80	3 3/4	5 3/4	Brown	7.0
SSLFH-103	310	2.50	125	3 3/4	5 3/4	Pink	4.5
SSLFH-104	500	2.50	200	3 3/4	5 3/4	Green	2.8
SSLFH-105	740	2.40	310	3 3/4	5 3/4	Red	1.9
SSLFH-106	1050	2.10	500	3 3/4	5 7/8	White	1.3
SSLFH-107	1400	2.00	700	3 3/4	5 7/8	Blue	1.0
SSLFH-108	1660	2.05	810	4 1/2	6 3/4	Silver	2.4
SSLFH-109	2250	2.00	1125	4 1/2	7 1/2	Orange	1.8
SSLFH-110	3000	2.00	1500	5	7 1/2	Gray	1.3
SSLFH-111	4000	2.00	2000	5	7 1/2	Tan	1.0

All springs have additional travel to solid equal to 50% of the rated deflection  
 Solid Spring Height = Free Height minus 1.5 times Rated Deflection.  
 OD/OH = Ratio of Spring Outside Diameter to Operating Height  
 = 0.82 - 1.15

### TYPE SSLFH DIMENSIONS (inches)

Size	Free & Op. Ht.	A	B	C	D	E	J <sup>††</sup>	K <sup>‡</sup>	L	M
101	10 1/2	7	11	5	9	2 1/2	7/8	7/8	1/2-13UNC	7/8-9UNCx8
102	10 1/2	7	11	5	9	2 1/2	7/8	7/8	1/2-13UNC	7/8-9UNCx8
103	10 1/2	7	11	5	9	2 1/2	7/8	7/8	1/2-13UNC	7/8-9UNCx8
104	10 1/2	7	11	5	9	2 1/2	7/8	7/8	1/2-13UNC	7/8-9UNCx8
105	10 1/2	7	11	5	9	2 1/2	7/8	7/8	1/2-13UNC	7/8-9UNCx8
106	10 1/2	7	11	5	9	2 1/2	7/8	7/8	1/2-13UNC	7/8-9UNCx8
107	10 1/2	7	11	5	9	2 1/2	7/8	7/8	1/2-13UNC	7/8-9UNCx8
108	13	7	11	5	9	2 1/2	1 1/8	7/8	5/8-11UNC	1 1/4-7UNCx8
109	13	7	11	5	9	2 1/2	1 1/8	7/8	5/8-11UNC	1 1/4-7UNCx8
110	13	7	11	5	9	2 1/2	1 1/8	7/8	5/8-11UNC	1 1/4-7UNCx8
111	13	7	11	5	9	2 1/2	1 1/8	7/8	5/8-11UNC	1 1/4-7UNCx8

††"J" Holes for Concrete Connection    ‡"K" Holes for Steel Connection

### CERTIFICATION DATA

TAG : \_\_\_\_\_

UNIT : \_\_\_\_\_

PLAN VIEW OF MOUNT LOCATION



### \_\_\_\_\_ inch SPECIFIED DEFLECTION

1 :	6 :
2 :	7 :
3 :	8 :
4 :	9 :
5 :	10 :
Material for One Set : _____ Sets Required	

DWN : \_\_\_\_\_ CHKD : \_\_\_\_\_ DATE : \_\_\_\_\_

DWG NO. : \_\_\_\_\_