



MASON INDUSTRIES, Inc.

Manufacturers of Vibration Control Products
 NY Mailing Address: PO Box 410, Smithtown, NY 11787
 350 Rabro Drive 2101 W. Crescent Ave., Suite D
 Hauppauge, NY 11788 Anaheim, CA 92801
 631/348-0282 714/535-2727
 FAX 631/348-0279 FAX 714/535-5738
 Info@Mason-Ind.com Info@MasonAnaheim.com

CERTIFIED FOR

JOB NAME : _____
 CUSTOMER : _____
 CUSTOMER P.O. : _____
 MASON M.I. : _____
 DWG. NO. : _____

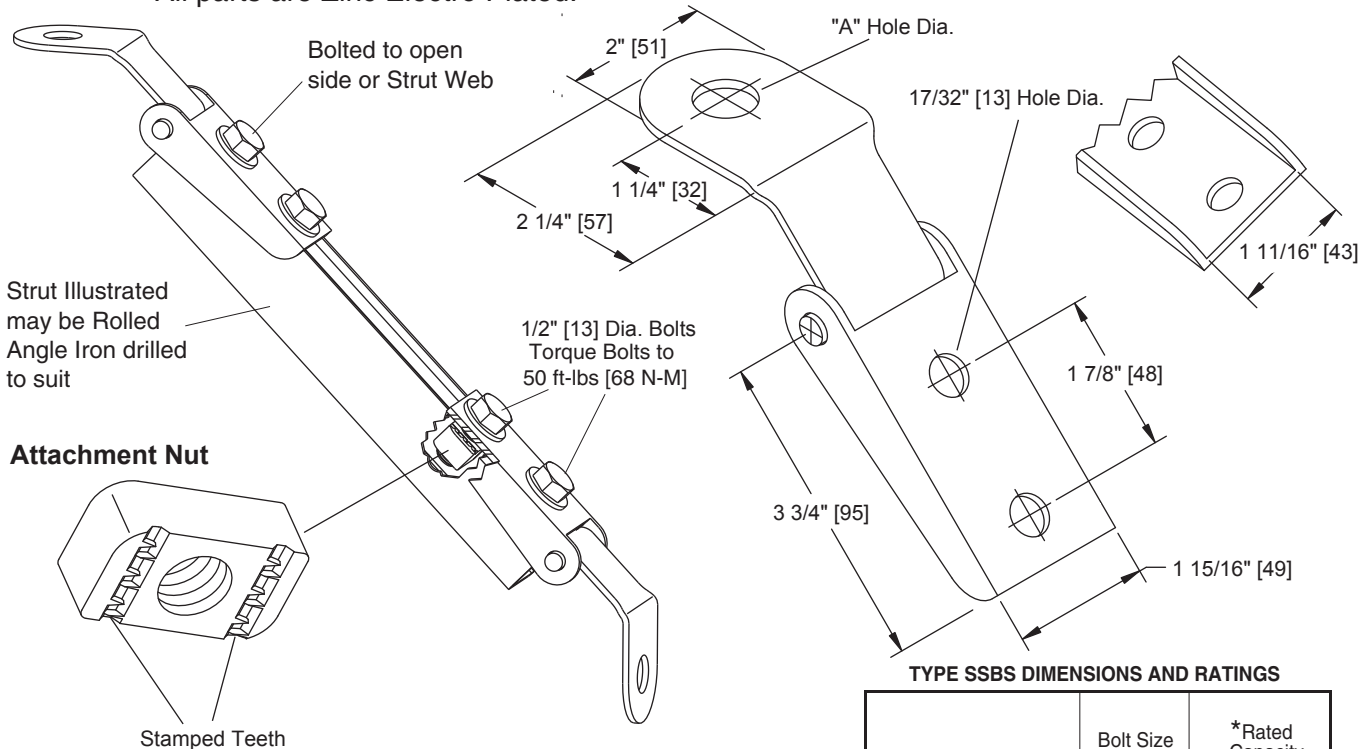
TYPE

SSBS

Seismic Solid Brace
 Strut Anchor

Finish:
 All parts are Zinc Electro Plated.

Solid Brace Anchor (Formed Steel)



TYPE SSBS DIMENSIONS AND RATINGS

Size	A		Bolt Size		*Rated Capacity	
	[in]	[mm]	[in]	[mm]	[lbs]	[kN]
SSBS-12	17/32	13	3/8	9	1000	5.6
SSBS-12	17/32	13	1/2	13	1250	5.6
SSBS-20	25/32	20	5/8	16	2000	11.2
SSBS-20	25/32	20	3/4	19	2500	11.2
SSBS-25	1 1/32	26	7/8	22	2500	13.3
SSBS-25	1 1/32	26	1	25	3000	13.3

* Attachment nuts must have stamped teeth to achieve these values.
 Washers are required at all Bolted Connections.

Ratings are based on attachment to steel.
 Assembly Ratings are the lowest value of either the Assembly Capacity, slippage of the Strut Attachment Nuts or the capacity of the single hole anchorage bolt. Ratings are based on the worst case angle.
 Ratings may change depending on attachment methods to concrete.

Testing was supervised and certified by an independant engineer registered in the state of California.
 Preferred installation angle is 45°. Maximum variation ±15°.

NOTE: Not to be used as a vertical hanger for equipment, ductwork or piping. To be used as a seismic restraint only.

Ratings are from test data and calculations used to obtain California OSHPD Preapproval Number OPA-0349.

APPROVED

California Office of Statewide
 Health Planning and Development

FIXED EQUIPMENT ANCHORAGE

OPA-0349 AUGUST 5, 2002



*Valid for 3 Years Maximum

Bill Staehlin (916) 654-3362

CERTIFICATION DATA

TAG : _____

UNIT : _____

DWN : _____ CHKD : _____ DATE : _____

DWG NO. : _____