

MASON INDUSTRIES, Inc.

Manufacturers of Vibration Control Products
 NY Mailing Address: PO Box 410, Smithtown, NY 11787
 350 Rabro Drive 2101 W. Crescent Ave., Suite D
 Hauppauge, NY 11788 Anaheim, CA 92801
 631/348-0282 714/535-2727
 FAX 631/348-0279 FAX 714/535-5738
 Info@Mason-Ind.com Info@MasonAnaheim.com

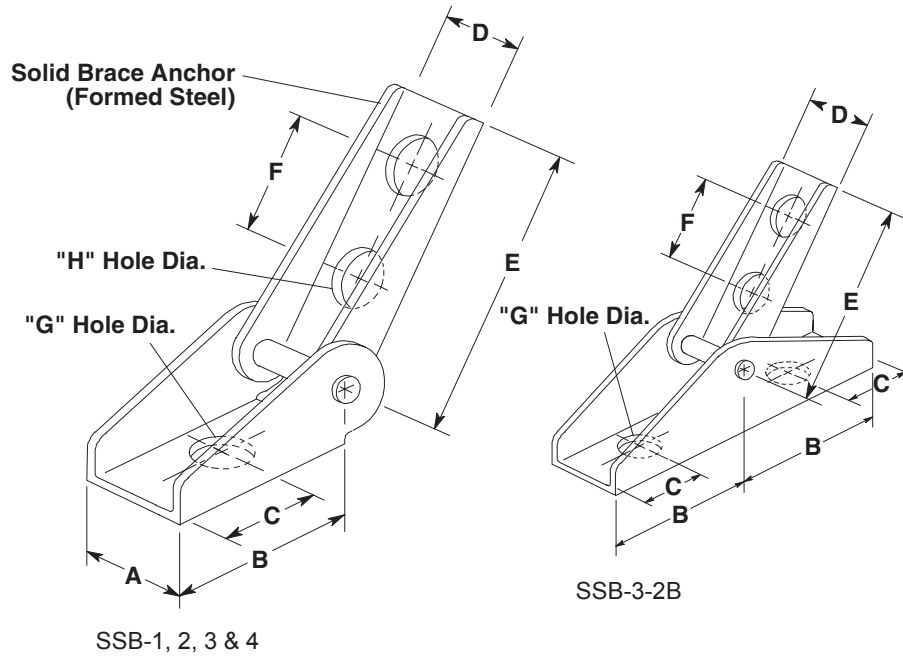
CERTIFIED FOR

JOB NAME : _____
 CUSTOMER : _____
 CUSTOMER P.O. : _____
 MASON M.I. : _____
 DWG. NO. : _____

TYPE

SSB

Seismic Solid
Brace Anchor



TYPE SSB ANCHOR RATINGS

Size	OSHPD Max. Ratings [lbs]
SSB-1	1500
SSB-2	3000
SSB-3 & -3-2B	5000
SSB-4	8750

Ratings are from test data and calculations used to obtain California OSHPD Preapproval Number OPA-0349.

Testing was supervised and certified by an independent engineer registered in the state of California.

Ratings are based on attachment to steel.

Rating will be controlled by attachment methods to concrete.

Preferred installation angle is 45°. Maximum variation ± 15°.

APPROVED

California Office of Statewide
Health Planning and Development

FIXED EQUIPMENT ANCHORAGE

OPA-349 AUGUST 5, 2002

*Valid for 3 Years Maximum


 Bill Staehlin (916) 654-3362

TYPE SSB ANCHOR DIMENSIONS (inches)

Size	A	B	C	D	E	F	G	H
SSB-1	1 3/8	2	1	15/16	3 3/8	1 1/2	9/16	9/16
SSB-2	1 5/8	2 3/4	1 3/8	1 3/16	4 3/8	1 3/4	11/16	9/16
SSB-3	2	3 1/2	1 3/4	1 7/16	4 3/4	2	13/16	9/16
SSB-3-2B	2	4 3/4	1	1 7/16	4 3/4	2	13/16	9/16
SSB-4	3 1/8	5	2 1/2	1 15/16	5 3/4	2 1/4	1 5/16	11/16

CERTIFICATION DATA

TAG : _____
 UNIT : _____

DWN : _____ CHKD: _____ DATE : _____

DWG NO. : _____