

MASON INDUSTRIES, Inc.

Manufacturers of Vibration Control Products
 NY Mailing Address: PO Box 410, Smithtown, NY 11787
 350 Rabro Drive 2101 W. Crescent Ave., Suite D
 Hauppauge, NY 11788 Anaheim, CA 92801
 631/348-0282 714/535-2727
 FAX 631/348-0279 FAX 714/535-5738
 Info@Mason-Ind.com Info@MasonAnaheim.com

CERTIFIED FOR

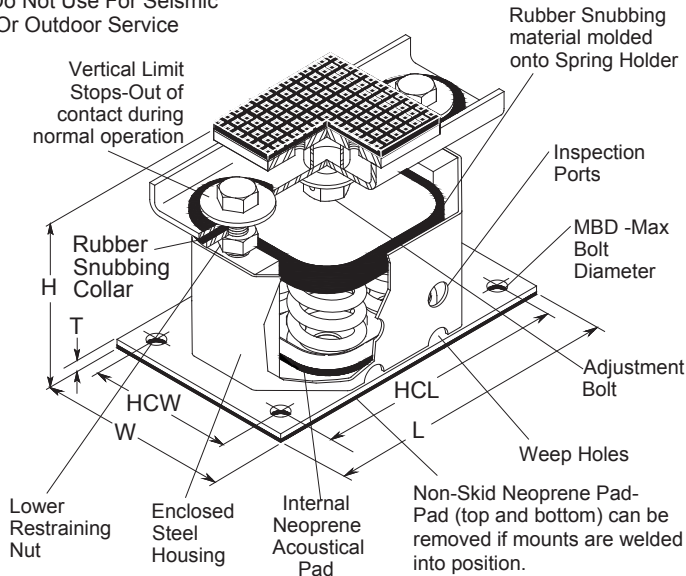
JOB NAME :
 CUSTOMER :
 CUSTOMER P.O. :
 MASON M.I. :
 DWG. NO. :

TYPE

SLRSW

2" Deflection
 B, B2, C2, 2-C2
 Series Spring Mountings

Do Not Use For Seismic
 Or Outdoor Service



TYPE SLRSW DIMENSIONS (inches)

Size	L	W	H	T	MBD	HCW	HCL
SLRS-B	8 1/2	4 1/4	8 3/4	3/8	5/8	2 3/4	7
SLRS-1	9 1/2	5 1/4	8 3/4	3/8	5/8	3 1/2	7 1/2
SLRS-2	14	5 1/4	8 3/4	3/8	5/8	3 1/2	12 1/4

Size	Derated Capacity [lbs]	Defl. [in]
B2-450	411	1.83
B2-680	565	1.66
C2-880	800	1.82
C2-1210	1010	1.67
C2-1540	1285	1.67
C2-1870	1560	1.67
2-C2-1760	1600	1.82
2-C2-2420	2020	1.67
2-C2-3080	2570	1.67
2-C2-3740	3120	1.67

Illustration above shows a SLRSW-4-C2 (4 springs). SLRSW-B, B2 & -C2 have 1 spring, and SLRSW-2-C2 has 2 springs. Solid Spring Height = Free Height minus 1.5 times the Rated Deflection.

Published ratings allow minimum 25% additional travel to solid. For a full 50% specified minimum use the following ratings shown to the left. All springs without " ## have additional travel to solid equal to 50% of the rated deflection.

TYPE SLRSW RATINGS

* with RED inner spring

Size	Rated Capacity [lb]	Rated Defl. [in]	Spring Constant [lb]	Spring Color
SLRSW-B-20	20	2.40	8	Tan
SLRSW-B-26	26	2.18	12	Wht/Blue
SLRSW-B-35	35	2.20	16	Purple
SLRSW-B-50	50	2.20	24	Wht/Red
SLRSW-B-65	65	2.10	31	Brown
SLRSW-B-85	85	2.10	40	Wht/Blk
SLRSW-B-115	115	2.00	57	Silver
SLRSW-B-150	150	2.00	75	Orange
SLRSW-B2-210	210	2.12	99	Silver
SLRSW-B2-290	290	2.00	144	Blue
SLRSW-B2-450 ##	450	2.00	224	Tan
SLRSW-B2-680 ##	680	2.00	340	Gray
SLRSW-C2-125	125	2.50	50	Purple
SLRSW-C2-170	170	2.40	70	Brown
SLRSW-C2-210	210	2.30	90	Red
SLRSW-C2-260	260	2.20	120	White
SLRSW-C2-330	330	2.00	165	Black
SLRSW-C2-460	460	2.00	230	Blue
SLRSW-C2-610	610	2.00	305	Green
SLRSW-C2-880##	880	2.00	440	Gray
SLRSW-C2-1210##	1210	2.00	605	Silver
SLRSW-C2-1540##	1540	2.00	770	Gray*
SLRSW-C2-1870##	1870	2.00	935	Silver*
SLRSW-2-C2-340	340	2.40	140	Brown
SLRSW-2-C2-420	420	2.30	180	Red
SLRSW-2-C2-520	520	2.20	240	White
SLRSW-2-C2-660	660	2.00	330	Black
SLRSW-2-C2-920	920	2.00	460	Blue
SLRSW-2-C2-1220	1220	2.00	610	Green
SLRSW-2-C2-1760##	1760	2.00	880	Gray
SLRSW-2-C2-2420##	2420	2.00	1210	Silver
SLRSW-2-C2-3080##	3080	2.00	1540	Gray*
SLRSW-2-C2-3740##	3740	2.00	1870	Silver*

SPRING DATA

Size	Spring OD (in)	Free Ht. (in)	Ratio Kx/Ky	Ratio OD/OH
B	2 3/8	4	0.55-0.65	0.95-1.00
B2	2 3/8	4 1/2	0.80-0.90	1.19-1.48
C2	2 7/8	5	0.63-0.85	0.96-1.15

CERTIFICATION DATA

TAG : _____

UNIT : _____

PLAN VIEW OF MOUNT LOCATION



inch SPECIFIED DEFLECTION

1 :	6 :
2 :	7 :
3 :	8 :
4 :	9 :
5 :	10 :
Material for One Set :	
Sets Required	

DWN : _____ CHKD : _____ DATE : _____

DWG NO. : _____