



MASON INDUSTRIES, Inc.

Manufacturers of Vibration Control Products
 NY Mailing Address: PO Box 410, Smithtown, NY 11787
 350 Rabro Drive 2101 W. Crescent Ave., Suite D
 Hauppauge, NY 11788 Anaheim, CA 92801
 631/348-0282 714/535-2727
 FAX 631/348-0279 FAX 714/535-5738
 Info@Mason-Ind.com Info@MasonAnaheim.com

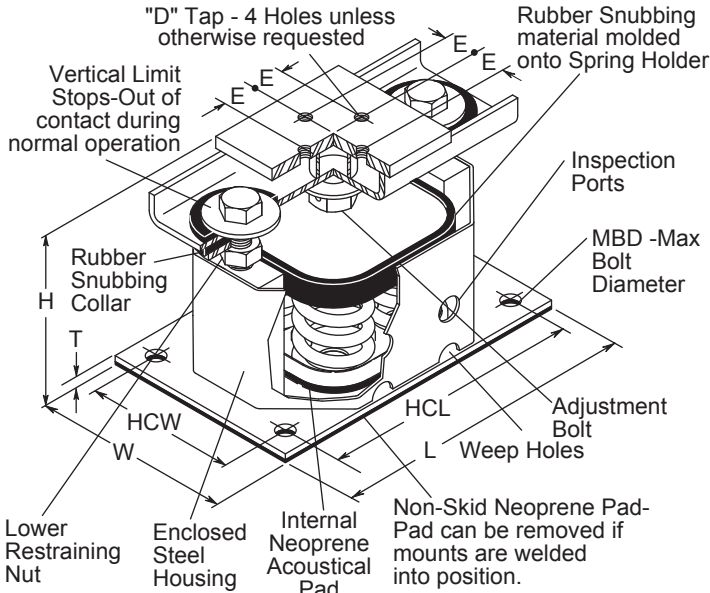
CERTIFIED FOR

JOB NAME :
 CUSTOMER :
 CUSTOMER P.O. :
 MASON M.I. :
 DWG. NO. :

TYPE

SLRS

2" Deflection
 B, B2, C2, 2-C2
 Series Spring Mountings



TYPE SLRS DIMENSIONS (inches)

Size	L	W	H	T	MBD	HCW	HCL	D	E
SLRS-B	8 1/2	4 1/4	8 1/2	3/8	5/8	2 3/4	7	1/2	1 1/8
SLRS-1	9 1/2	5 1/4	8 1/2	3/8	5/8	3 1/2	7 1/2	5/8	1 3/8
SLRS-2	14	5 1/4	8 1/2	3/8	5/8	3 1/2	12 1/4	5/8	1 3/8

Size	Derated Capacity [lbs]	Defl. [in]
B2-450	411	1.83
B2-680	565	1.66
C2-880	800	1.82
C2-1210	1010	1.67
C2-1540	1285	1.67
C2-1870	1560	1.67
2-C2-1760	1600	1.82
2-C2-2420	2020	1.67
2-C2-3080	2570	1.67
2-C2-3740	3120	1.67

RENEWED
 California Office of Statewide Health Planning and Development
FIXED EQUIPMENT ANCHORAGE
OPA-0194 January 6, 2003
 *Valid for 3 Years Maximum

 Bill Staehlin (916) 654-3362

TYPE SLRS RATINGS

* with RED inner spring

Size	Rated Capacity [lb]	Rated Defl. [in]	Spring Constant [lb]	Max. G Rating	Spring Color
SLRS-B-20	20	2.40	8	80.0	Tan
SLRS-B-26	26	2.18	12	61.5	Wht/Blue
SLRS-B-35	35	2.20	16	45.7	Purple
SLRS-B-50	50	2.20	24	32.0	Wht/Red
SLRS-B-65	65	2.10	31	24.6	Brown
SLRS-B-85	85	2.10	40	18.8	Wht/Blk
SLRS-B-115	115	2.00	57	13.9	Silver
SLRS-B-150	150	2.00	75	10.7	Orange
SLRS-B2-210	210	2.12	99	7.6	Silver
SLRS-B2-290	290	2.00	144	5.5	Blue
SLRS-B2-450**	450	2.00	224	3.6	Tan
SLRS-B2-680**	680	2.00	340	2.4	Gray
SLRS-1-C2-125	125	2.50	50	54.0	Purple
SLRS-1-C2-170	170	2.40	70	39.7	Brown
SLRS-1-C2-210	210	2.30	90	32.1	Red
SLRS-1-C2-260	260	2.20	120	25.9	White
SLRS-1-C2-330	330	2.00	165	20.4	Black
SLRS-1-C2-460	460	2.00	230	14.7	Blue
SLRS-1-C2-610	610	2.00	305	11.1	Green
SLRS-1-C2-880**	880	2.00	440	7.7	Gray
SLRS-1-C2-1210**	1210	2.00	605	5.6	Silver
SLRS-1-C2-1540**	1540	2.00	770	4.4	Gray*
SLRS-1-C2-1870**	1870	2.00	935	3.6	Silver*
SLRS-2-C2-340	340	2.40	140	25.3	Brown
SLRS-2-C2-420	420	2.30	180	20.4	Red
SLRS-2-C2-520	520	2.20	240	16.5	White
SLRS-2-C2-660	660	2.00	330	13.0	Black
SLRS-2-C2-920	920	2.00	460	9.3	Blue
SLRS-2-C2-1220	1220	2.00	610	7.0	Green
SLRS-2-C2-1760**	1760	2.00	880	4.9	Gray
SLRS-2-C2-2420**	2420	2.00	1210	3.5	Silver
SLRS-2-C2-3080**	3080	2.00	1540	2.8	Gray*
SLRS-2-C2-3740**	3740	2.00	1870	2.3	Silver*

SPRING DATA

Size	Spring OD (in)	Free Ht. (in)	Ratio Kx/Ky	Ratio OD/OH
B	2 3/8	4	0.55-0.65	0.95-1.00
B2	2 3/8	4 1/2	0.80-0.90	1.19-1.48
C2	2 7/8	5	0.63-0.85	0.96-1.15

** Published ratings allow minimum 25% additional travel to solid. For a full 50% specified minimum use the following ratings shown to the left. All springs without "**" have additional travel to solid equal to 50% of the rated deflection.

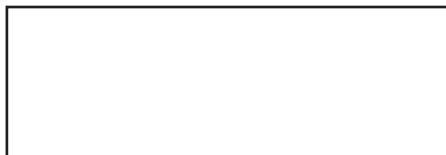
Illustration above shows a SLRS-4-C2 (4 springs). SLRS-B, B2 & -C2 have 1 spring, and SLRS-2-C2 has 2 springs.
 Solid Spring Height = Free Height minus 1.5 times the Rated Deflection.

CERTIFICATION DATA

TAG : _____

UNIT : _____

PLAN VIEW OF MOUNT LOCATION



inch SPECIFIED DEFLECTION

1 :	6 :
2 :	7 :
3 :	8 :
4 :	9 :
5 :	10 :

Material for One Set : _____ Sets Required

DWN : _____ CHKD : _____ DATE : _____

DWG NO. : _____