

MASON INDUSTRIES, Inc.

Manufacturers of Vibration Control Products
 NY Mailing Address: PO Box 410, Smithtown, NY 11787
 350 Rabro Drive 2101 W. Crescent Ave., Suite D
 Hauppauge, NY 11788 Anaheim, CA 92801
 631/348-0282 714/535-2727
 FAX 631/348-0279 FAX 714/535-5738
 Info@Mason-Ind.com Info@MasonAnaheim.com

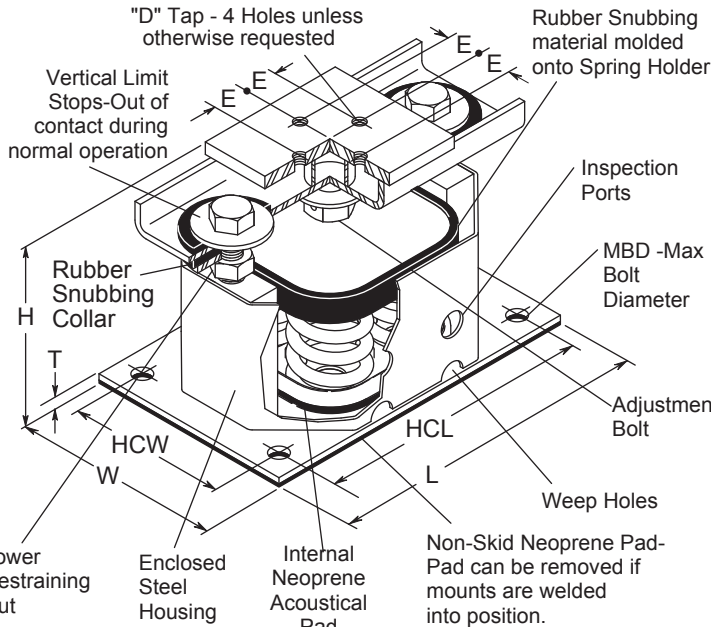
CERTIFIED FOR

JOB NAME :
 CUSTOMER :
 CUSTOMER P.O. :
 MASON M.I. :
 DWG. NO. :

TYPE

SLRS

1" Deflection
 B,1,2,4,6 & 9 Series
 Spring Mountings



TYPE SLRS DIMENSIONS (inches)

Size	L	W	H	T	MBD	HCW	HCL	D	E
SLRS-B	8 1/2	4 1/4	8 1/2	3/8	5/8	2 3/4	7	1/2	1 1/8
SLRS-1	9 1/2	5 1/4	8 1/2	3/8	5/8	3 1/2	7 1/2	5/8	1 3/8
SLRS-2	14	5 1/4	8 1/2	3/8	5/8	3 1/2	12 1/4	5/8	1 3/8
SLRS-4	13	8 3/8	8 1/2	3/8	3/4	6 1/4	11	7/8	1 3/8
SLRS-6	16 1/2	8 3/8	9	1/2	1	6	14	1	1 5/8
SLRS-9	17	13	9 3/4	5/8	1	10 3/4	14 3/4	1	2

Illustration shows a SLRS-4 (4 springs), SLRS-B & -1 have 1 spring, SLRS-2 has 2 springs, SLRS-6 has 6 springs and SLRS-9 has 9 springs. SLRS-1 and multiple spring mounts have C size springs.

All spring have an additional travel to solid equal to 50% of the rated deflection.

RENEWED

California Office of Statewide Health Planning and Development

FIXED EQUIPMENT ANCHORAGE
 OPA-0194 January 6, 2003



Valid for 3 Years Maximum

Bill Staehlin (916) 654-3362

TYPE SLRS RATINGS

Size	Rated Capacity [lb]	Rated Defl. [in]	Spring Constant [lb]	Max. G Rating	Spring Color
SLRS-B-65	65	2.10	31	24.6	Brown
SLRS-B-85	85	2.10	40	18.9	Wht/Blk
SLRS-B-115	115	2.00	57	13.9	Silver
SLRS-B-150	150	2.00	75	10.6	Orange
SLRS-B-280	280	1.60	174	5.7	Green
SLRS-B-450	450	1.31	344	3.5	Red
SLRS-B-750	750	1.12	670	2.1	White
SLRS-B-1000	1000	1.00	1000	1.6	Blue
SLRS-1-1000	1000	1.00	1000	6.7	Black
SLRS-1-1350	1350	1.00	1350	5.0	Yellow
SLRS-1-1750	1750	1.00	1750	3.8	Black*
SLRS-1-2100	2100	1.00	2100	3.2	Yellow*
SLRS-1-2385	2385	1.00	2385	2.8	Yellow**
SLRS-1-2650	2650	1.00	2650	2.5	Red*
SLRS-1-2935	2935	1.00	2935	2.3	Red**
SLRS-2-3500	3500	1.00	3500	2.5	Black*
SLRS-2-4200	4200	1.00	4200	2.1	Yellow*
SLRS-2-4770	4770	1.00	4770	1.8	Yellow**
SLRS-4-5400	5400	1.00	5400	2.6	Yellow
SLRS-4-7000	7000	1.00	7000	2.0	Black*
SLRS-4-8400	8400	1.00	8400	1.7	Yellow*
SLRS-4-9540	9540	1.00	9540	1.5	Yellow**
SLRS-4-10600	10600	1.00	10600	1.3	Red*
SLRS-4-11740	11740	1.00	11740	1.2	Red**
SLRS-6-12600	12600	1.00	12600	1.5	Yellow*
SLRS-6-14310	14310	1.00	14310	1.4	Yellow**
SLRS-6-15900	15900	1.00	15900	1.2	Red*
SLRS-6-17610	17610	1.00	17610	1.1	Red**
SLRS-9-18900	18900	1.00	18900	1.4	Yellow/Red
SLRS-9-21465	21465	1.00	21465	1.2	Yellow/Grn
SLRS-9-23850	23850	1.00	23850	1.1	Red/Red

* with RED inner spring ** with GREEN inner spring

SPRING DATA

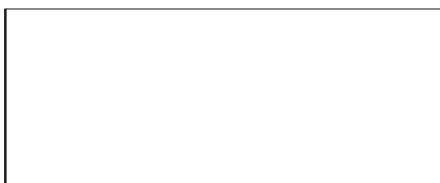
Size	Spring OD	Free Height	Ratio K _x /K _y	Ratio OD/OH
B	2 3/8	4	0.70-0.80	0.80 - 1.25
C	2 7/8	4 1/8	0.90-1.10	0.92

CERTIFICATION DATA

TAG : _____

UNIT : _____

PLAN VIEW OF MOUNT LOCATION



inch SPECIFIED DEFLECTION

1 :	6 :
2 :	7 :
3 :	8 :
4 :	9 :
5 :	10 :
Material for One Set : _____ Sets Required	

DWN : _____ CHKD : _____ DATE : _____

DWG NO. : _____