



# MASON INDUSTRIES, Inc.

Manufacturers of Vibration Control Products  
 NY Mailing Address: PO Box 410, Smithtown, NY 11787  
 350 Rabro Drive 2101 W. Crescent Ave., Suite D  
 Hauppauge, NY 11788 Anaheim, CA 92801  
 631/348-0282 714/535-2727  
 FAX 631/348-0279 FAX 714/535-5738  
 Info@Mason-Ind.com Info@MasonAnaheim.com

## CERTIFIED FOR

JOB NAME :  
 CUSTOMER :  
 CUSTOMER P.O. :  
 MASON M.I. :  
 DWG. NO. :

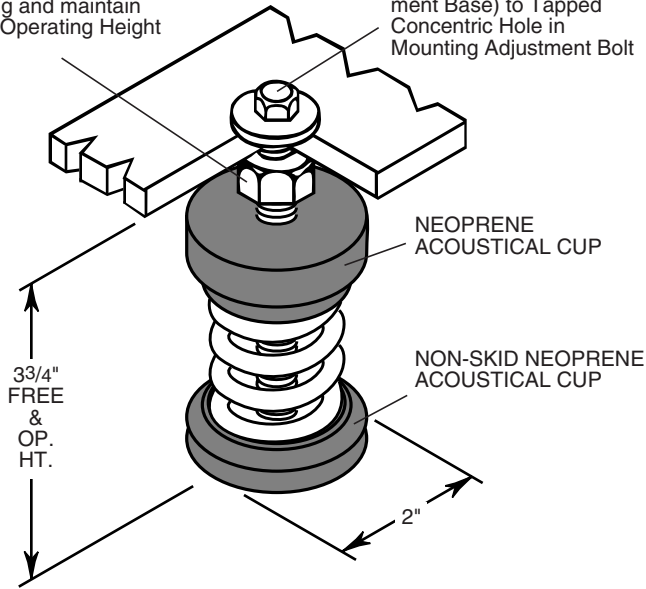
## TYPE

# SLF

1" Deflection  
 X Series  
 Spring Mounts

1/2" x 2 1/2"  
 ADJUSTMENT BOLT  
 Turn counterclockwise to  
 load spring and maintain  
 Free and Operating Height

1/4" x 1" LOCKING CAP  
 SCREW secures Height  
 Saving Bracket (or Equip-  
 ment Base) to Tapped  
 Concentric Hole in  
 Mounting Adjustment Bolt



### SPRING DATA

Size	Spring OD	Free HT.	Ratio Kx/Ky	Ratio OD/OH
12-130	1 1/2	23/8	0.86-1.00	1.09-1.40
175-210	1 1/2	25/8	0.75	0.92-1.00

### TYPE SLF RATINGS

Size	Rated Capacity (lbs)	Rated Def (in)	Mount Constant (lbs/in)	Spring Color/Stripe
SLF-X-12	12	1.25	10	Orange
SLF-X-23	23	1.30	18	Brown
SLF-X-33	33	1.10	30	Red
SLF-X-54	54	1.20	45	White
SLF-X-76	76	1.02	73	Black
SLF-X-113	113	1.00	113	Yellow
SLF-X-130	130	1.00	130	Purple
SLF-X-175	175	1.00	175	Silver
SLF-X-210	210	1.00	210	Blue

All springs have additional travel to solid equal to 50% of the rated deflection.

Solid Spring Height = Free Height minus 1.5 times Rated Deflection.

### CERTIFICATION DATA

TAG : \_\_\_\_\_

UNIT : \_\_\_\_\_

PLAN VIEW OF MOUNT LOCATION:



\_\_\_\_\_ inch SPECIFIED DEFLECTION

1 :	6 :
2 :	7 :
3 :	8 :
4 :	9 :
5 :	10 :
Material for One Set :	
Sets Required	

DWN : \_\_\_\_\_ CHKD : \_\_\_\_\_ DATE : \_\_\_\_\_

DWG NO. : \_\_\_\_\_