



MASON INDUSTRIES, Inc.
Manufacturers of Vibration Control Products

350 Rabro Drive 708 N. Valley St. Suite K
Hauppauge, NY 11788 Anaheim CA 92801
631/348-0282 714/535-2727
FAX 631/348-0279 FAX 714/535-5738

CERTIFIED FOR _____

JOB NAME _____

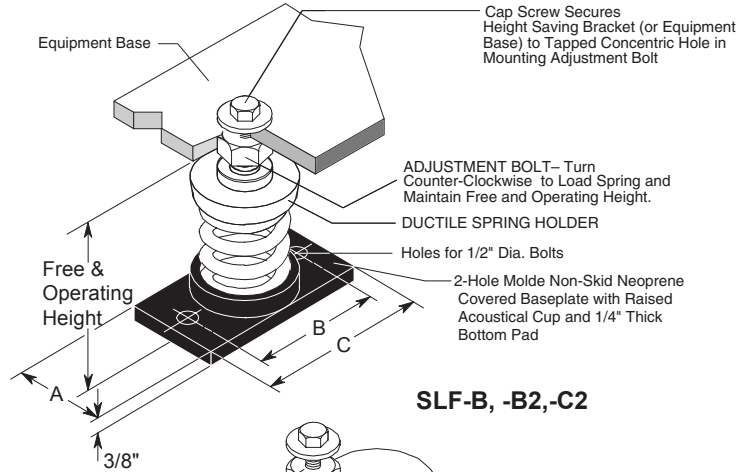
CUSTOMER _____

CUSTOMER P.O. _____

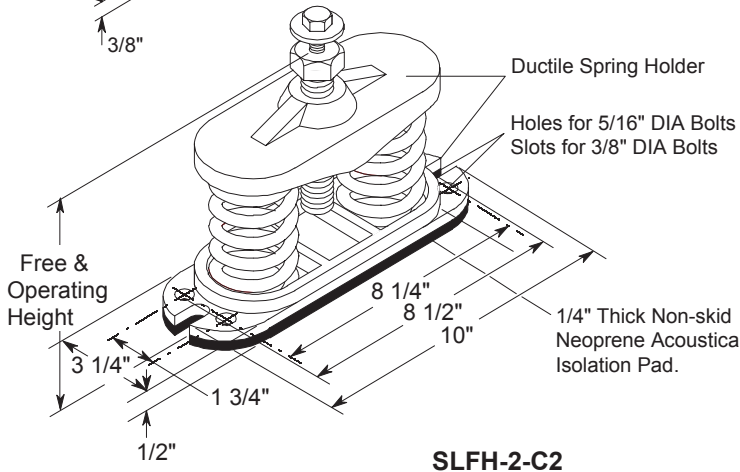
MASON M.I. _____

DWG No. _____

TYPE
SLFH
2" DEFLECTION
B, B2, C2 & 2-C2 Series
MOUNTS



SLFH-B, -B2, -C2



SLFH-2-C2

TYPE SLFH DIMENSIONS (inches)

Size	Free & Oper Height	A	B	C	Locking Cap Screw E	SPRING DATA			
						Spring OD	Free HT.	Ratio Kx/Ky	Ratio OD/OH
SLFH-B & B2	6 3/4	2 3/4	4 1/8	5 1/4	1/2x1 1/4	2 3/4	4-4 1/2	0.55-0.90	0.79-1.18
SLFH-C2	6 3/4	3	4 3/4	6	1/2x1 1/4	2 7/8	5	0.63-0.85	0.96-1.15
SLFH-2-C2	6 3/4	—	—	—	1/2x1 1/4	2 7/8	5	0.63-0.85	0.96-1.15

SLFH-B2-450, B2-680, C2-880 thru C2-1870 & 2-C2-1760 thru 2-C2-3740 mounts have minimum 25% of rated deflection additional travel to solid. The last two columns below show ratings at 50% additional travel.

TYPE SLFH RATINGS

*with RED spring inside

Size	Standard Ratings				Ratings at 50% additional travel to solid	
	Rated Capacity (lbs)	Rated Deβ (in)	Mount Constant (lbs/in)	Spring Color/Stripe	Capacity (lbs)	Deβ (in)
SLFH-B-20	20	2.40	8	Tan	20	2.40
SLFH-B-26	26	2.18	12	White/Blue	26	2.18
SLFH-B-35	35	2.20	16	Purple	35	2.20
SLFH-B-50	50	2.20	24	White/Red	50	2.20
SLFH-B-65	65	2.10	31	Brown	65	2.10
SLFH-B-85	85	2.10	40	White/Black	85	2.10
SLFH-B-115	115	2.00	57	Silver	115	2.00
SLFH-B-150	150	2.00	75	Orange	150	2.00
SLFH-B2-210	210	2.12	99	Silver	210	2.12
SLFH-B2-290	290	2.00	144	Blue	290	2.00
SLFH-B2-450	450	2.00	224	Tan	410	1.83
SLFH-B2-680	680	2.00	340	Gray	565	1.66
SLFH-C2-125	125	2.50	50	Purple	125	2.50
SLFH-C2-170	170	2.40	70	Brown	170	2.40
SLFH-C2-210	210	2.30	90	Red	210	2.30
SLFH-C2-260	260	2.20	120	White	260	2.20
SLFH-C2-330	330	2.00	165	Black	330	2.00
SLFH-C2-460	460	2.00	230	Blue	460	2.00
SLFH-C2-610	610	2.00	305	Green	610	2.00
SLFH-C2-880	880	2.00	440	Gray	800	1.82
SLFH-C2-1210	1210	2.00	605	Silver	1010	1.67
SLFH-C2-1540	1540	2.00	770	Gray*	1285	1.67
SLFH-C2-1870	1870	2.00	935	Silver*	1560	1.67
SLFH-2-C2-340	340	2.40	140	Brown	340	2.40
SLFH-2-C2-420	420	2.30	180	Red	420	2.30
SLFH-2-C2-520	520	2.20	240	White	520	2.20
SLFH-2-C2-660	660	2.00	330	Black	660	2.00
SLFH-2-C2-920	920	2.00	460	Blue	920	2.00
SLFH-2-C2-1220	1220	2.00	610	Green	1220	2.00
SLFH-2-C2-1760	1760	2.00	880	Gray	1600	1.82
SLFH-2-C2-2420	2420	2.00	1210	Silver	2020	1.67
SLFH-2-C2-3080	3080	2.00	1540	Gray*	2570	1.67
SLFH-2-C2-3740	3740	2.00	1870	Silver*	3120	1.67

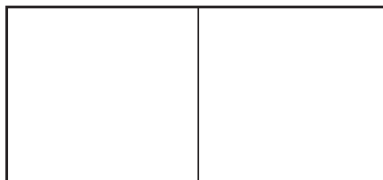
Multiple spring mounts have C size springs. SLFH-2 indicates 2 springs.

CERTIFICATION DATA

_____ inch SPECIFIED DEFLECTION

TAG _____

UNIT _____



PLAN VIEW OF MOUNT LOCATION

1	2
3	4
5	6
7	8
9	10
MATERIAL FOR ONE SET _____ SETS REQUIRED	

DWN _____ CHKD _____ DATE _____

DWG No. _____