

# MASON INDUSTRIES, Inc.

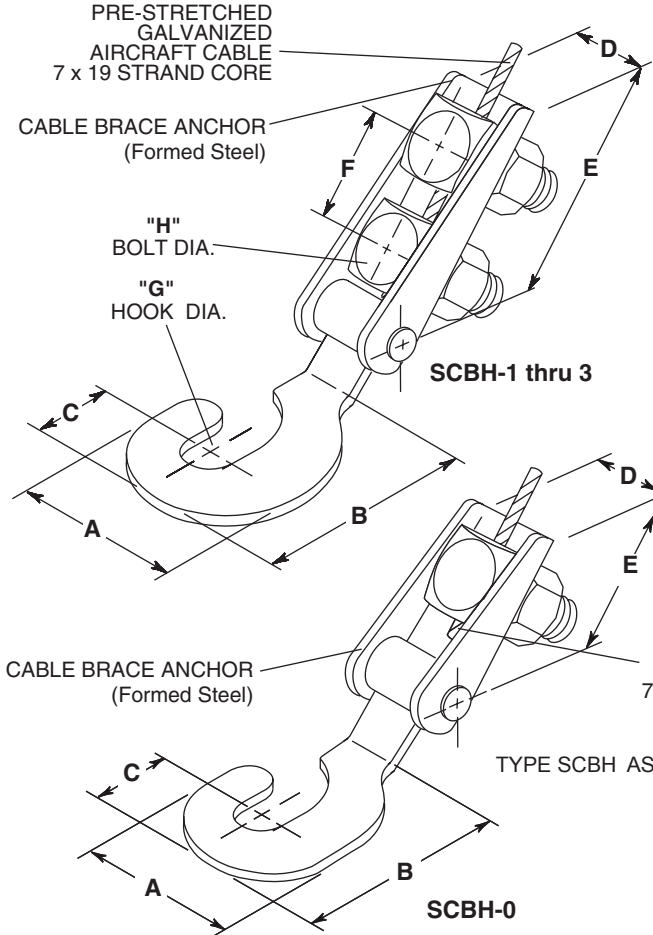
Manufacturers of Vibration Control Products  
 NY Mailing Address: PO Box 410, Smithtown, NY 11787  
 350 Rabro Drive 2101 W. Crescent Ave., Suite D  
 Hauppauge, NY 11788 Anaheim, CA 92801  
 631/348-0282 714/535-2727  
 FAX 631/348-0279 FAX 714/535-5738  
 Info@Mason-Ind.com Info@MasonAnaheim.com

## CERTIFIED FOR

JOB NAME : \_\_\_\_\_  
 CUSTOMER : \_\_\_\_\_  
 CUSTOMER P.O. : \_\_\_\_\_  
 MASON M.I. : \_\_\_\_\_  
 DWG. NO. : \_\_\_\_\_

# TYPE SCBH

SEISMIC CABLE  
 BRACE HOOK  
 ANCHOR &  
 ASSEMBLY



## TYPE SCBH ANCHOR DIMENSIONS (inches mm)

Size	For use with Rod Sizes	A	B	C	D	E	F	G	H
SCBH-0	3/8	1 3/8	2 1/16	1 1/16	15/16	1 3/4	--	3/8	1/2
SCBH-1	1/2, 5/8	1 7/8	2 3/8	1	1	3 3/8	1 1/2	5/8	1/2
SCBH-2	3/4, 7/8	2 7/8	3 3/4	1 3/8	1 3/8	4 3/8	1 3/4	7/8	5/8
SCBH-3	1, 1 1/8	3 1/2	4 3/4	1 3/4	1 3/4	4 3/4	2	1 1/8	3/4

## TORQUE VALUES

Diameter	Torque Foot Pounds		Torque Kilogram-Meters	
	Minimum	Maximum	Minimum	Maximum
1/2"	25	29	3.5	4.1
5/8"	45	52	6.3	7.3
3/4"	55	64	7.7	9.0

## RATINGS AS CONTROLLED BY CABLE BREAK STRENGTH

Size	Cable Dia. (in)	(mm)	OSHPD Max. Ratings (lbs) (kgs)
SCBH-0	1/16	(1.5)	240 (110)
SCBH-1	1/8	(3.0)	975 (442)
SCBH-2	3/16	(5.0)	2050 (930)
SCBH-3	1/4	(6.0)	3150 (1429)

# APPROVED

California Office of Statewide Health Planning and Development

FIXED EQUIPMENT ANCHORAGE  
 OPA-0349 AUGUST 5, 2002



\*Valid for 3 Years Maximum

*Bill Staehlin*

Bill Staehlin (916) 654-3362

Ratings for SCBH-1 thru -3 are from test data and calculations used to obtain California OSHPD Preapproval Number OPA-0349. Testing was supervised and certified by an independent engineer registered in the state of California. Ratings are based on attachment to steel. SCBH assemblies will fit rod sizes as tabulated. Preferred installation angle is 45 degrees. Maximum variation is ± 15 degrees

## CERTIFICATION DATA

TAG : \_\_\_\_\_

UNIT \_\_\_\_\_

DWN : \_\_\_\_\_ CHKD: \_\_\_\_\_ DATE : \_\_\_\_\_

DWG NO. : \_\_\_\_\_