



MASON INDUSTRIES, Inc.

Manufacturers of Vibration Control Products
 NY Mailing Address: PO Box 410, Smithtown, NY 11787
 350 Rabro Drive 2101 W. Crescent Ave., Suite D
 Hauppauge, NY 11788 Anaheim, CA 92801
 631/348-0282 714/535-2727
 FAX 631/348-0279 FAX 714/535-5738
 Info@Mason-Ind.com Info@MasonAnaheim.com

CERTIFIED FOR :
 JOB NAME :
 CUSTOMER :
 CUSTOMER P.O. :
 MASON M.I. :
 DWG. NO. :

TYPE
MFS
 Spring
 Floor Mounts

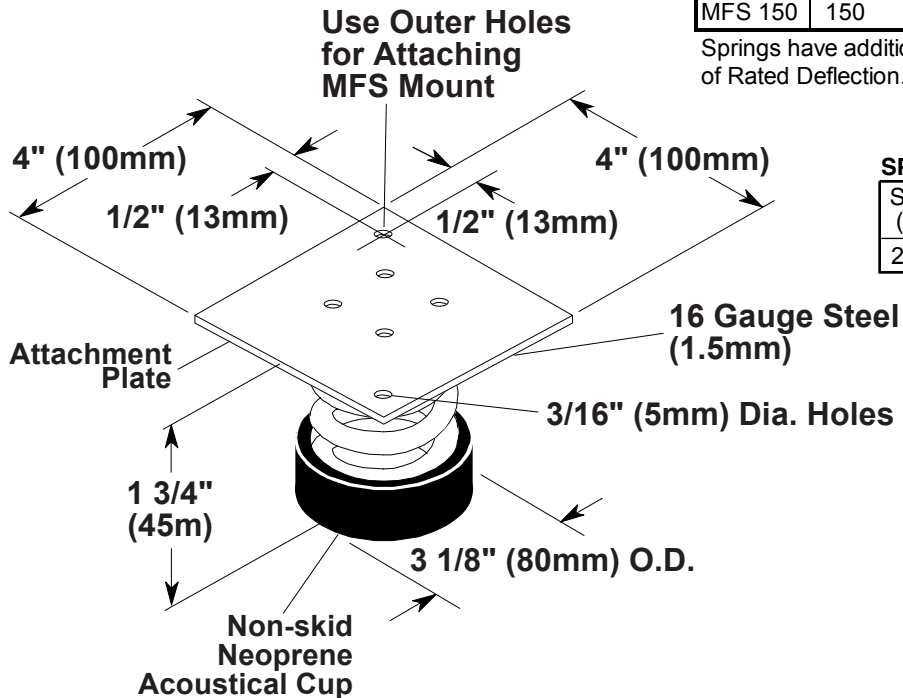
TYPE MFS RATINGS

Size	Rated Capacity		Rated Deflection		Spring Constant		Spring Color
	[lbs]	[kgs]	[in]	[mm]	[lbs/in]	[kg/mm]	
MFS 110	110	50	0.19	5	575	10.0	Blue
MFS 150	150	68	0.19	5	800	13.6	Yellow

Springs have additional travel to solid equal to 50% of Rated Deflection.

SPRING DATA

Spring OD (in)	Free Ht. (in)	Ratio Kx/Ky	Ratio OD/OH
2 3/8	60	1 3/8	35



CERTIFICATION DATA

DWN : CHKD: DATE :

DWG NO. :