



MASON INDUSTRIES, Inc.

Manufacturers of Vibration Control Products
 NY Mailing Address: PO Box 410, Smithtown, NY 11787
 350 Rabro Drive 2101 W. Crescent Ave., Suite D
 Hauppauge, NY 11788 Anaheim, CA 92801
 631/348-0282 714/535-2727
 FAX 631/348-0279 FAX 714/535-5738
 Info@Mason-Ind.com Info@MasonAnaheim.com

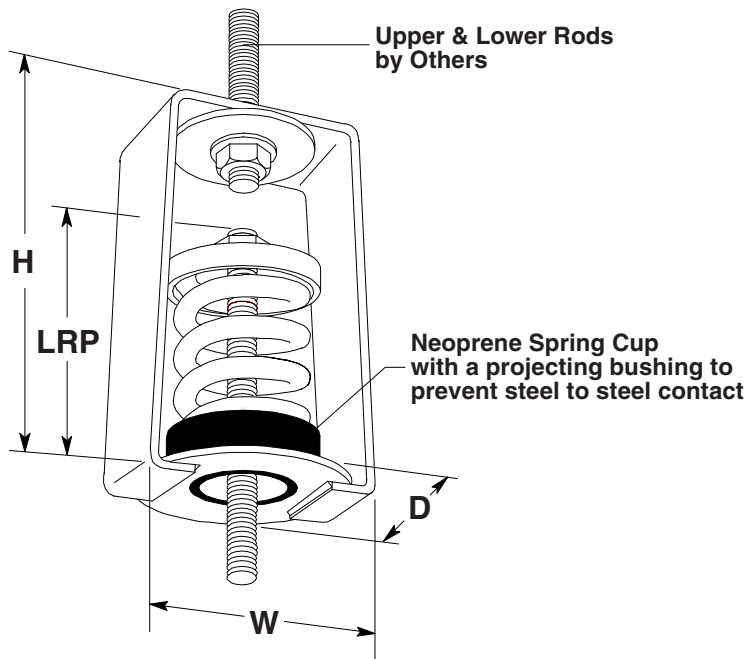
CERTIFIED FOR

JOB NAME :
 CUSTOMER :
 CUSTOMER P.O. :
 MASON M.I. :
 DWG. NO. :

TYPE

HS

2" Deflection
 B, B2, C2, 2-C2 & 4-C2
 Series Hangers



Legend to Table on Right Hand Side:

* with Red inner spring
 †Published ratings allow minimum 25% additional travel to solid. For a full 50% specified minimum, use the ratings shown in the table below (right hand side).

TYPE HS RATINGS

Size	Rated Capacity [lbs]	Rated Defl. [in]	Spring Constant [lbs/in]	Spring Color
HS-B-20	20	2.40	8	Tan
HS-B-26	26	2.18	12	White/Blue
HS-B-35	35	2.20	16	Purple
HS-B-50	50	2.20	24	White/Red
HS-B-65	65	2.10	31	Brown
HS-B-85	85	2.10	40	White/Blk
HS-B-115	115	2.00	57	Silver
HS-B-150	150	2.00	75	Orange
HS-B2-210	210	2.12	99	Silver
HS-B2-290	290	2.00	144	Blue
HS-B2-450 [†]	450	2.00	224	Tan
HS-B2-680 [†]	680	2.00	340	Gray
HS-C2-125	125	2.50	50	Purple
HS-C2-170	170	2.40	70	Brown
HS-C2-210	210	2.30	90	Red
HS-C2-260	260	2.20	120	White
HS-C2-330	330	2.00	165	Black
HS-C2-460	460	2.00	230	Blue
HS-C2-610	610	2.00	305	Green
HS-C2-880 [†]	880	2.00	440	Gray
HS-C2-1210 [†]	1210	2.00	605	Silver
HS-C2-1540 [†]	1540	2.00	770	Gray*
HS-C2-1870 [†]	1870	2.00	935	Silver*
HS-2-C2-2420 [†]	2420	2.00	1210	Silver
HS-2-C2-3080 [†]	3080	2.00	1540	Gray*
HS-2-C2-3740 [†]	3740	2.00	1870	Silver*
HS-4-C2-3520 [†]	3520	2.00	1760	Gray
HS-4-C2-4840 [†]	4840	2.00	2420	Silver
HS-4-C2-6160 [†]	6160	2.00	3080	Gray*
HS-4-C2-7480 [†]	7480	2.00	3740	Silver*

TYPE HS DIMENSIONS (inches)

Size Range	D	H	W	LRP	MRD
HS-B-20-150	4	7 1/4	4 3/4	5 1/8	3/4
HS-B-210-680	4	7 1/4	4 3/4	5 1/8	3/4
HS-C2-125-1870	4	8	5 1/4	5 1/4	7/8
HS-2-C2-2420-3740	9	10	5 1/4	6	1
HS-4-C2-3520-7480	7	13	8 7/8	8	1 1/4

LRP - Lower Rod Penetration
 MRD - Maximum Rod Diameter

Size	Derated Capacity [lbs]	Defl. [in]	Size	Derated Capacity [lbs]	Defl. [in]
B2-450	410	1.83	2-C2-2420	2020	1.67
B2-680	565	1.66	2-C2-3080	2570	1.67
C2-880	800	1.82	2-C2-3740	3120	1.67
C2-1210	1010	1.67	4-C2-3520	3600	1.82
C2-1540	1285	1.67	4-C2-4840	4040	1.67
C2-1870	1560	1.67	4-C2-6160	5145	1.67
			4-C2-7480	6245	1.67

CERTIFICATION DATA

TAG : _____

UNIT : _____

PLAN VIEW OF HANGER LOCATION:



inch SPECIFIED DEFLECTION

1 :	6 :
2 :	7 :
3 :	8 :
4 :	9 :
5 :	10 :
Material for One Set :	Sets Required

DWN : _____ CHKD : _____ DATE : _____

DWG NO. : _____