



# MASON INDUSTRIES, Inc.

Manufacturers of Vibration Control Products  
 NY Mailing Address: PO Box 410, Smithtown, NY 11787  
 350 Rabro Drive 2101 W. Crescent Ave., Suite D  
 Hauppauge, NY 11788 Anaheim, CA 92801  
 631/348-0282 714/535-2727  
 FAX 631/348-0279 FAX 714/535-5738  
 Info@Mason-Ind.com Info@MasonAnaheim.com

CERTIFIED FOR

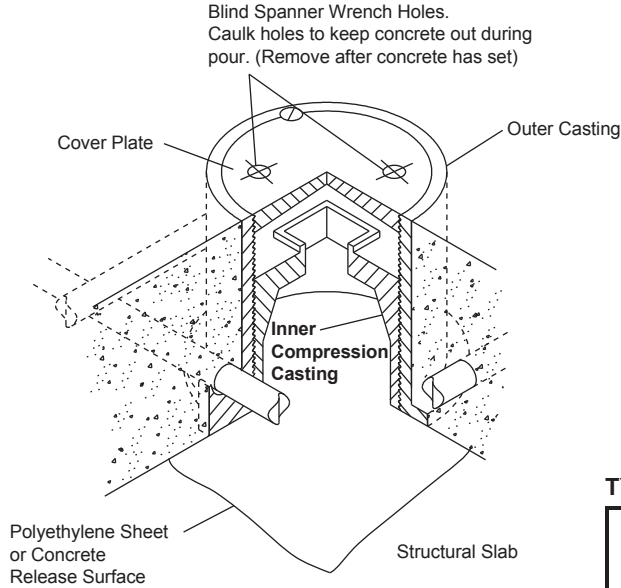
JOB NAME :  
 CUSTOMER :  
 CUSTOMER P.O. :  
 MASON M.I. :  
 DWG. NO. :

TYPE

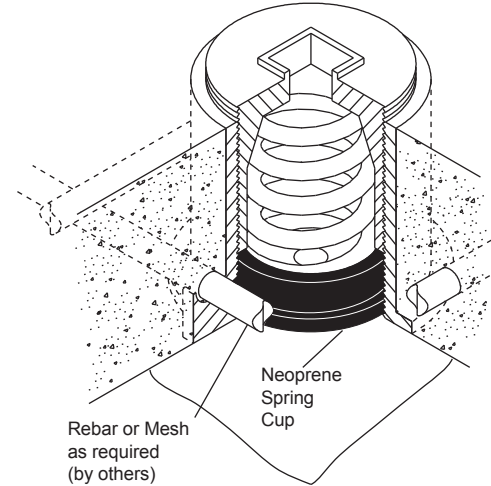
**FS**

Spring Jack-up  
 Mounting

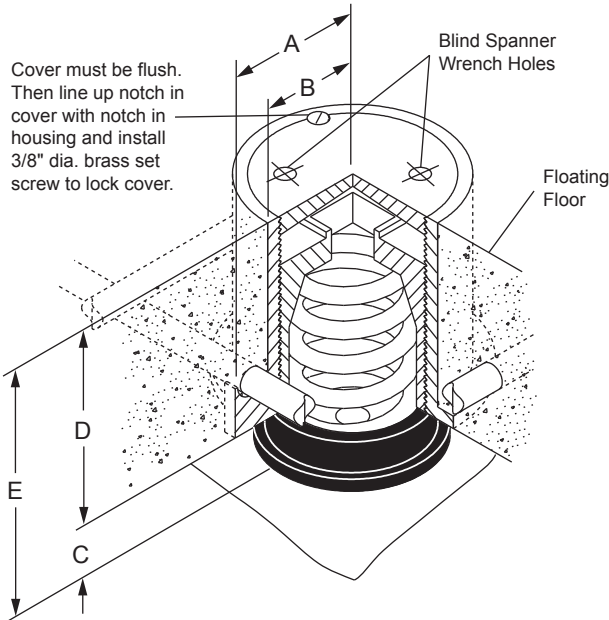
### POSITION 1 (FLOOR IN POURED POSITION)



### POSITION 2 (SPRING & NEOPRENE CUP INSTALLED)



### POSITION 3 (FLOOR IN RAISED POSITION WITH COVER PLATE INSTALLED)



Illustrated housing is for 4" (100mm) thick floating floors. Other outside configurations available for 3" (75mm), 5" (125mm) and 6" (150mm) thick floating floors as required.

†Requires 2" (50mm) Air Gap.

### TYPE FS RATINGS

Size	Rated Capacity		Rated Deflection		Mount Constant		Spring Color/ Stripe
	[lbs]	[kgs]	[in]	[mm]	[lbs/in]	[kg/mm]	
FS-B-450	450	204	1.31	33	344	6.2	Red
FS-B-750	750	340	1.12	28	670	12.1	White
FS-B-1000	1000	454	1.00	25	1000	18.2	Blue
FS-C-1000	1000	454	1.00	25	1000	18.2	Black
FS-C-1350	1350	612	1.00	25	1350	24.1	Yellow
FS-C-1750	1750	794	1.00	25	1750	31.3	Black*
FS-C-2100	2100	953	1.00	25	2100	37.5	Yellow*
FS-C-2385	2385	1082	1.00	25	2385	42.6	Yellow**
FS-C-2650	2650	1202	1.00	25	2650	47.3	Red*
FS-C-2935	2935	1331	1.00	25	2935	52.4	Red**
FS-B2-450†	450	204	2.00	51	224	4.0	Tan
FS-B2-680†	680	308	2.00	51	340	6.1	Gray
FS-C2-610†	610	277	2.00	51	305	5.4	Green
FS-C2-880†	880	399	2.00	51	440	7.9	Gray
FS-C2-1210†	1210	549	2.00	51	605	10.8	Silver
FS-C2-1540†	1540	699	2.00	51	770	13.8	Gray*
FS-C2-1870†	1870	848	2.00	51	935	16.7	Silver*

\* with RED inner spring

\*\* with GREEN inner spring

† Published ratings allow minimum 25% additional travel to solid.

For a full 50% specified minimum use the following ratings:

Size	Derated Capacity		Deflection		Size	Derated Capacity		Deflection	
	[lbs]	[kgs]	[in]	[mm]		[lbs]	[kgs]	[in]	[mm]
B2-450	410	186	1.83	46	C2-1210	1010	458	1.67	42
B2-680	565	256	1.66	42	C2-1540	1285	583	1.67	42
C2-880	800	363	1.82	46	C2-1870	1560	708	1.67	42

### TYPE FS DIMENSIONS

Type & Size	Housing Dimensions		Air Gap C	Floor Thickness D	Overall Height E
	A	B			
FS-B & B2	2 3/4" 70 mm	2" 50 mm	Most Common 1" or 2" 25 or 50 mm	Minimum 3" 75 mm† Most Common 4" 100 mm	Air Gap plus Floor Thickness
FS-C & C2	3 1/4" 83 mm	2 1/2" 65 mm	Occasionally 3" or 4" 75 or 100 mm	Occasionally 6" thru 12" 150 -300 mm	

DWN : CHKD : DATE :

DWG NO. :