



MASON INDUSTRIES, Inc.
Manufacturers of Vibration Control Products

350 Rabro Drive 2101 W. Crescent Ave., Suite D
Hauppauge, NY 11788 Anaheim, CA 92801
631/348-0282 714/535-2727
FAX 631/348-0279 FAX 714/535-5738
Info@Mason-Ind.com Info@MasonAnaheim.com

CERTIFIED FOR

JOB NAME :
CUSTOMER :
CUSTOMER P.O. :
MASON M.I. :
DWG. NO. :

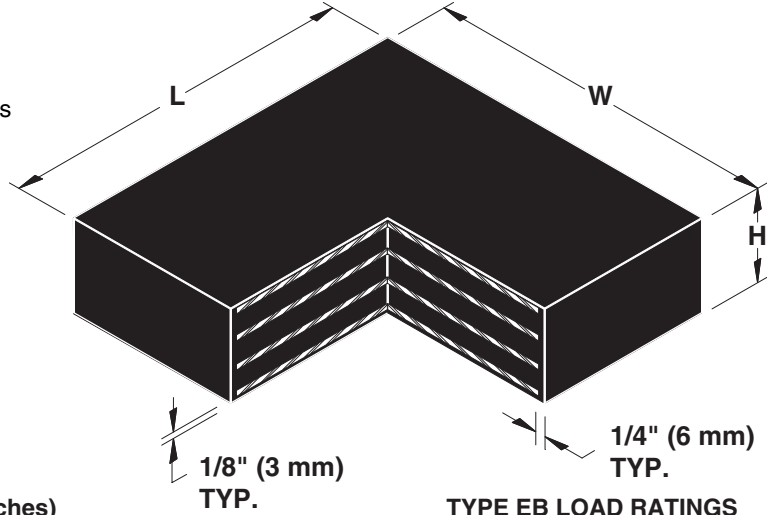
TYPE

EB

Elastomeric
Bridge Bearings

MATERIAL:

Natural Rubber Hardness
60 Durometers ± 5



TYPE EB DIMENSIONS (inches)

Size	L	W	H
MEA	10 3/8	10 3/8	4
MEB	11 5/16	11 5/16	4
MEC	12 3/8	12 3/8	4
MED	13 3/16	13 3/16	4
MEE	13 13/16	13 13/16	4
MEF	15 5/16	15 5/16	4
MEG	16 5/8	16 5/8	4
MEH	22 1/16	12 9/16	4

TYPE EB LOAD RATINGS

Size	Rated Capacity (lbs)		Compression Stiffness (lb/in)	Dynamic Frequency (Hz)
	From	To		
MEA	70790	87645	324610	7
MEB	103375	128100	474285	7
MEC	139330	173040	640890	7
MED	177535	219110	811520	7
MEE	202255	235965	873945	7
MEF	235965	265180	982150	7
MEG	314620	377545	1398315	7
MEH	258440	303380	1123630	7

TYPE EB METRIC DIMENSIONS (mm)

Size	L	W	H
MEA	263	263	102
MEB	287	287	102
MEC	314	314	102
MED	335	335	102
MEE	351	351	102
MEF	390	390	102
MEG	422	422	102
MEH	560	320	102

TYPE EB METRIC LOAD RATINGS

Size	Rated Capacity (kN)		Compression Stiffness (kN/m)	Dynamic Frequency (Hz)
	From	To		
MEA	315	390	56800	7
MEB	460	570	83000	7
MEC	620	770	112200	7
MED	790	975	142000	7
MEE	900	1050	152940	7
MEF	1050	1180	171875	7
MEG	1290	1435	209020	7
MEH	1150	1350	196640	7

CERTIFICATION DATA

DWN : _____ CHKD : _____ DATE : _____

DWG NO. : _____