



MASON INDUSTRIES, Inc.

Manufacturers of Vibration Control Products
 NY Mailing Address: PO Box 410, Smithtown, NY 11787
 350 Rabro Drive 2101 W. Crescent Ave., Suite D
 Hauppauge, NY 11788 Anaheim, CA 92801
 631/348-0282 714/535-2727
 FAX 631/348-0279 FAX 714/535-5738
 Info@Mason-Ind.com Info@MasonAnaheim.com

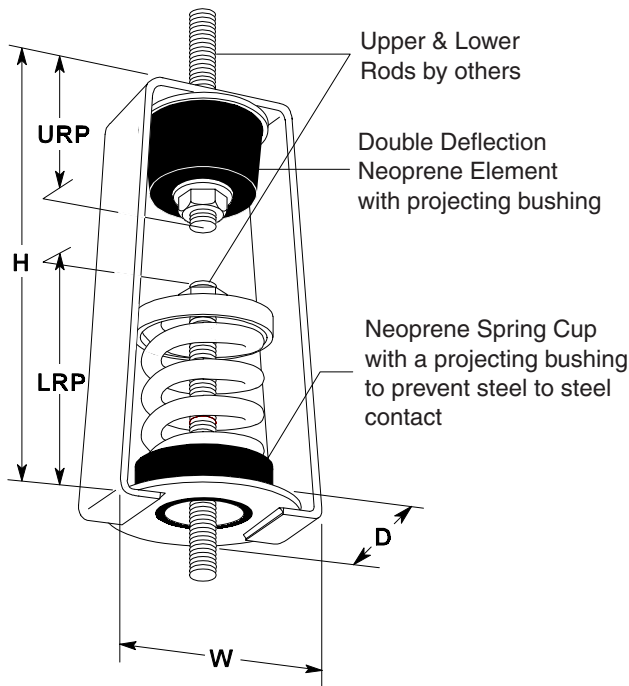
CERTIFIED FOR

JOB NAME :
 CUSTOMER :
 CUSTOMER P.O. :
 MASON M.I. :
 DWG. NO. :

TYPE

DNHS

1" Deflection
 X & A Spring
 Series Hangers



TYPE DNHS RATINGS

Size	Rated Capacity (lbs)	Rated Defl. [†] (in)	Spring Constant ^{††} (lbs/in)	Avg. Defl. Neoprene (in)	Spring Color/Stripe
DNHS-X-23	23	1.50	18	0.20	Brown
DNHS-X-33	33	1.30	30		Red
DNHS-X-54	54	1.40	45		White
DNHS-X-76	76	1.22	73		Black
DNHS-X-113	113	1.20	113		Yellow
DNHS-X-130	130	1.20	130		Purple
DNHS-X-175	175	1.20	175	Silver	
DNHS-X-210	210	1.20	210	Blue	
DNHS-A-12	12	1.35	12	0.35	Red
DNHS-A-18	18	1.35	18		Gray
DNHS-A-25	25	1.35	25		Orange
DNHS-A-41	41	1.53	35		Pink
DNHS-A-56	56	1.49	49		Black
DNHS-A-73	73	1.41	69		Tan
DNHS-A-95	95	1.36	94	Green	
DNHS-A-45	45	1.95	28	0.35	Blue
DNHS-A-75	75	1.85	50		Orange
DNHS-A-125	125	1.68	94		Brown
DNHS-A-200	200	1.50	174		Black
DNHS-A-310	310	1.35	310		Yellow
DNHS-A-400	400	1.35	400		Green
DNHS-A-510	510	1.35	510	Red	
DNHS-A-625	625	1.35	625	White	

TYPE DNHS DIMENSIONS (inches)

Size Range	D	H	W	LRP	URP	MRD
DNHS-X-23-210	2 1/2	5 1/2	2 7/8	3 1/4	1 3/4	3/8
DNHS-A-12-25	2 3/4	6 3/4	3 1/4	3 1/2	2 1/4	5/8
DNHS-A-41-95	2 3/4	6 3/4	3 1/4	4	2 1/4	5/8
DNHS-A-45-125	2 3/4	6 3/4	3 1/4	4	2 1/4	5/8
DNHS-A-200-625	2 3/4	6 3/4	3 1/4	4	2 1/4	5/8

LRP - Lower Rod Penetration
 URP - Upper Rod Penetration
 MRD - Maximum Rod Diameter

[†]includes double deflection neoprene element
^{††}applies to spring only.

All springs have additional travel to solid equal to 50% of the Rated Deflection. Hanger elements have straight line deflection curves.

CERTIFICATION DATA

TAG : _____
 UNIT : _____

PLAN VIEW OF HANGER LOCATION :



inch SPECIFIED DEFLECTION

1 :	6 :
2 :	7 :
3 :	8 :
4 :	9 :
5 :	10 :
Material for One Set : Sets Required	

DWN : _____ CHKD : _____ DATE : _____

DWG NO. : _____