



MASON INDUSTRIES, Inc.

Manufacturers of Vibration Control Products
 NY Mailing Address: PO Box 410, Smithtown, NY 11787
 350 Rabro Drive 2101 W. Crescent Ave., Suite D
 Hauppauge, NY 11788 Anaheim, CA 92801
 631/348-0282 714/535-2727
 FAX 631/348-0279 FAX 714/535-5738
 Info@Mason-Ind.com Info@MasonAnaheim.com

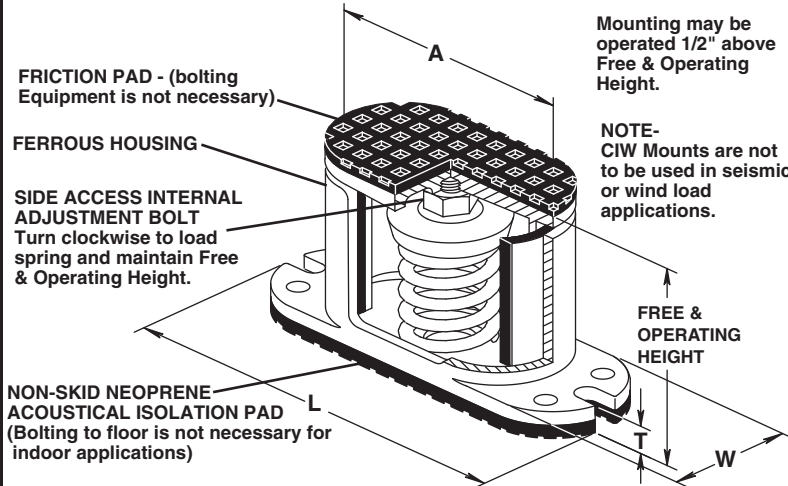
CERTIFIED FOR

JOB NAME :
 CUSTOMER :
 CUSTOMER P.O. :
 MASON M.I. :
 DWG. NO. :

TYPE CIW

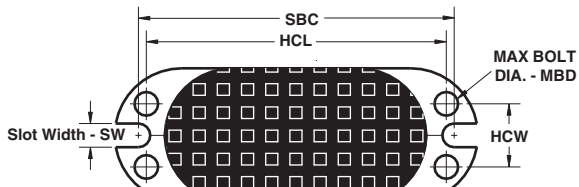
2" Deflection
 B, B2, C2, D-C2 & E-C2
 E-C2, F-C2, & G-C2
 Series Mounts

Illustration shows single spring CIW-B, CIW-B2 or CIW-C2 mount. CIW-D-C2, E-C2, F-C2 & G-C2 have 2, 4, 6 or 9 springs each respectively.



Mounting may be operated 1/2" above Free & Operating Height.

NOTE- CIW Mounts are not to be used in seismic or wind load applications.



BASE PLATE DIMENSIONS

TYPE CIW DIMENSIONS (inches)†

Size	A	L	T	W	SW	HCL	HCW	MBD	SBC	Free Ht.	Min Ht.
CIW-B & B2	5 3/4	8 1/4	1/2	2 3/4	7/16	6 1/2	1 1/2	3/8	7 1/4	6 1/8	5 1/4
CIW-C2	6 5/8	8 7/8	9/16	3 1/2	7/16	7 1/4	1 3/4	3/8	7 7/8	6 3/4	6 3/4
CIW-D-C2	9 3/4	12	9/16	3 1/2	7/16	10 3/8	1 3/4	3/8	11	7 1/2	6
CIW-E-C2	12 1/8	12 3/4	5/8	6 5/8	-	11 3/8	5 1/8	1/2	-	7 1/2	6 3/4
CIW-F-C2	16	16	5/8	7	-	14 1/2	5 1/8	1/2	-	8	7 1/4
CIW-G-C2	19 3/4	19 3/4	3/4	10	-	18 3/8	8 1/4	1/2	-	8	7 1/4

†Casting dimensions may vary ±1/8"
 Mounts in Gray area are not castings.

CIW-B2-450, B2-680, C2-880 thru C2-1870, D-C2 & E-C2 mounts have minimum 25% of rated deflection additional travel to solid. The last two columns below show ratings at 50% additional travel.

TYPE CIW RATINGS

Size	Standard Ratings				Ratings at 50% additional travel to solid	
	Rated Capacity (lbs)	Rated Defl. (in)	Spring Constant (lbs/in)	Spring Color/Stripe	Capacity (lb)	Defl. (in)
CIW-B-20	20	2.40	8	Tan	20	2.40
CIW-B-26	26	2.18	12	White/Blue	26	2.18
CIW-B-35	35	2.20	16	Purple	35	2.20
CIW-B-50	50	2.20	24	White/Red	50	2.20
CIW-B-65	65	2.10	31	Brown	65	2.10
CIW-B-85	85	2.10	40	White/Black	85	2.10
CIW-B-115	115	2.00	57	Silver	115	2.00
CIW-B-150	150	2.00	75	Orange	150	2.00
CIW-B2-210	210	2.12	99	Silver	210	2.12
CIW-B2-290	290	2.00	144	Blue	290	2.00
CIW-B2-450	450	2.00	224	Tan	450	1.83
CIW-B2-680	680	2.00	340	Gray	680	1.66
CIW-C2-125	125	2.50	50	Purple	125	2.50
CIW-C2-170	170	2.40	70	Brown	170	2.40
CIW-C2-210	210	2.30	90	Red	210	2.30
CIW-C2-260	260	2.20	120	White	260	2.20
CIW-C2-330	330	2.00	165	Black	330	2.00
CIW-C2-460	460	2.00	230	Blue	460	2.00
CIW-C2-610	610	2.00	305	Green	610	2.00
CIW-C2-880	880	2.00	440	Gray	880	1.82
CIW-C2-1210	1210	2.00	605	Silver	1210	1.67
CIW-C2-1540	1540	2.00	770	Gray*	1540	1.67
CIW-C2-1870	1870	2.00	935	Silver*	1870	1.67
CIW-D-C2-2420	2420	2.00	1210	Silver	2420	1.67
CIW-D-C2-3080	3080	2.00	1540	Gray*	3080	1.67
CIW-D-C2-3740	3740	2.00	1870	Silver*	3740	1.67
CIW-E-C2-3520	3520	2.00	1260	Gray	3520	1.82
CIW-E-C2-4840	4840	2.00	2420	Silver	4840	1.67
CIW-E-C2-6160	6160	2.00	3080	Gray*	6160	1.67
CIW-E-C2-7480	7480	2.00	3740	Silver*	7480	1.67
CIW-F-C2-7260	7260	2.00	3630	Silver	6060	1.67
CIW-F-C2-9240	9240	2.00	4620	Gray*	7715	1.67
CIW-F-C2-11220	11220	2.00	5610	Silver*	9370	1.67
CIW-G-C2-10890	10890	2.00	5445	Silver	9095	1.67
CIW-G-C2-13860	13860	2.00	6930	Gray*	11575	1.67
CIW-G-C2-16830	16830	2.00	8415	Silver*	14055	1.67

*with RED core spring
 Mounts in Gray area are not castings.

CERTIFICATION DATA

TAG: _____
 UNIT: _____
 PLAN VIEW OF MOUNT LOCATION :



inch SPECIFIED DEFLECTION

1 :	6 :
2 :	7 :
3 :	8 :
4 :	9 :
5 :	10 :
Material for One Set :	
Sets Required	

DWN : _____ CHKD: _____ DATE : _____

DWG NO. : _____