



**MASON INDUSTRIES, Inc.**

Manufacturers of Vibration Control Products

NY Mailing Address: PO Box 410, Smithtown, NY 11787  
 350 Rabro Drive 2101 W. Crescent Ave., Suite D  
 Hauppauge, NY 11788 Anaheim, CA 92801  
 631/348-0282 714/535-2727  
 FAX 631/348-0279 FAX 714/535-5738  
 Info@Mason-Ind.com Info@MasonAnaheim.com

**CERTIFIED FOR**

JOB NAME :  
 CUSTOMER :  
 CUSTOMER P.O. :  
 MASON M.I. :  
 DWG. NO. :

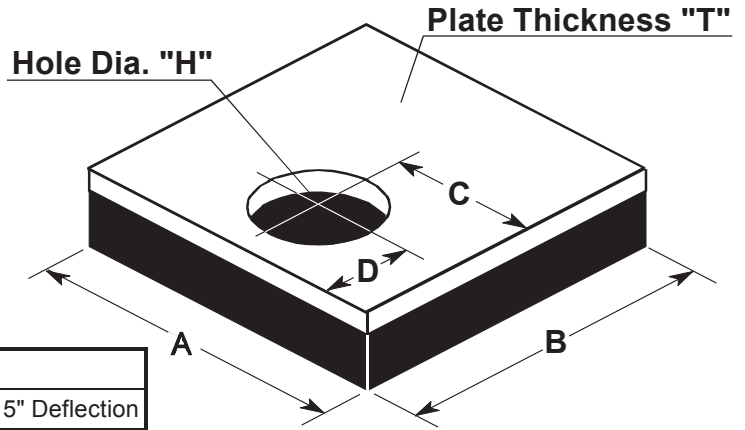
**TYPE**

**BBPM**

Bridge Quality  
 Neoprene  
 Bearing Pad  
 with Steel Plate

**Type BBP Dimensions**

Size [in]
1/4 x 24 x 24
3/8 x 24 x 24
1/2 x 24 x 24
5/8 x 24 x 24
3/4 x 24 x 24
1 x 24 x 24
1 1/4 x 24 x 24
1 1/2 x 24 x 24



Typical 1" thick 60 duro BBP Loadings			
Lower Load at 0.10" Deflection		Maximum Load at 0.15" Deflection	
Pad Size [in]	Load Range [lbs]	Pad Size [in]	Load Range [lbs]
2 x 2	300 - 450	8 x 8	20800 - 31200
3 x 3	990 - 1485	8 x 12	38400 - 57600
3 x 6	2340 - 3510	10 x 10	42500 - 63750
4 x 4	2400 - 3600	10 x 12	55200 - 82800
4 x 6	4080 - 6120	12 x 12	79200 - 118800
6 x 6	7600 - 12000	15 x 15	146250 - 219375
6 x 8	12000 - 18000	18 x 18	243000 - 364000
6 x 12	23400 - 35100	24 x 24	432000 - 648000

Approximate Load Corrections:  
 1/2" Pads - Twice the Load      2" Pads - Half Load  
 40 Duro-55%, 50 Duro-75%, 70 Duro-160% of 60 Duro loadings

**BRIDGE BEARING NEOPRENE SPECIFICATION**

ORIGINAL PHYSICAL PROPERTIES			TESTING FOR AGING			COMPRES- SION SET (e)
(a)	(b)	(b)	(c) Aging(70hrs/212° F)	(d) Oven Ozzone	(e)	
Duro- meter	Tensile Strength [min.]	Elongat. at Break [min.]	Hard- ness [max.]	Tensile Strength at Break [max.]	Elongat. at Break [min.]	1 ppm in air by Vol.20% Strain 100° F
40±5	2000 psi	450%	+ 15%	± 15%	- 40%	No Cracks
50±5	2500 psi	400%	+ 15%	± 15%	- 40%	No Cracks
60±5	2500 psi	350%	+ 15%	± 15%	- 40%	No Cracks

(a)ASTM D-676 (b)ASTM D-412 (c)ASTM D-573 (d)ASTM D-1149 (e)ASTM D-395

**CERTIFICATION DATA**

TAG : \_\_\_\_\_  
 UNIT : \_\_\_\_\_

PLAN VIEW OF PAD LOCATION:



\_\_\_\_\_ inch SPECIFIED DEFLECTION

1 :	6 :
2 :	7 :
3 :	8 :
4 :	9 :
5 :	10 :

Material for One Set : \_\_\_\_\_ Sets Required

**Type BBPM Dimensions [inches]**

A	B	C	D	T	H

Hardness of Pad Material to be: **DURO**

DWN : \_\_\_\_\_ CHKD: \_\_\_\_\_ DATE : \_\_\_\_\_

DWG NO. : \_\_\_\_\_