



MASON INDUSTRIES, Inc.

Manufacturers of Vibration Control Products
 NY Mailing Address: PO Box 410, Smithtown, NY 11787
 350 Rabro Drive 2101 W. Crescent Ave., Suite D
 Hauppauge, NY 11788 Anaheim, CA 92801
 631/348-0282 714/535-2727
 FAX 631/348-0279 FAX 714/535-5738
 Info@Mason-Ind.com Info@MasonAnaheim.com

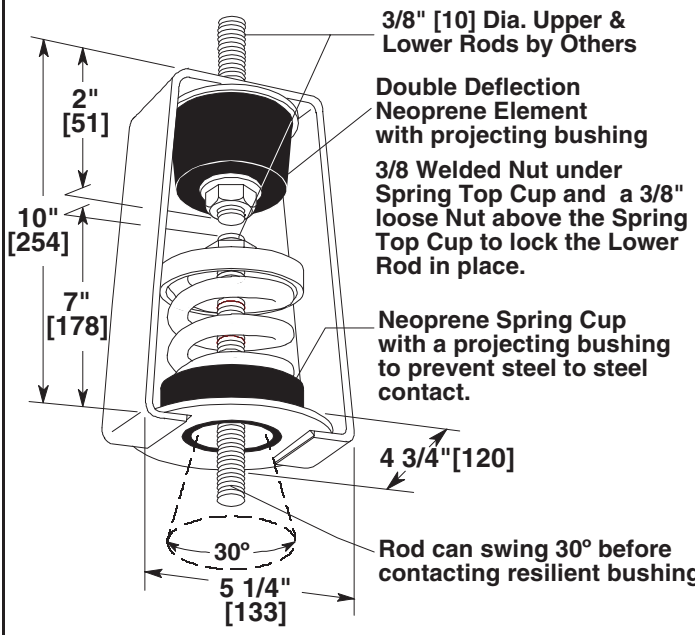
CERTIFIED FOR

JOB NAME :
 CUSTOMER :
 CUSTOMER P.O. :
 MASON M.I. :
 DWG. NO. :

TYPE

30N

3" [76mm] Deflection
 Low Capacity
 Hangers



TYPE 30N RATINGS

Size	Rated Capacity lbs [kg]	Rated Defl. [†] in [mm]	Spring Constant ^{††} lbs/in [kg/mm]	Spring Color/Stripe
30N-1082	15 [7]	3.4 [86]	5 [0.09]	Silver/Red
30N-1083	24 [11]	3.4 [86]	8 [0.14]	Silver/Blue
30N-1084	33 [15]	3.4 [86]	11 [0.20]	Silver/Green
30N-1085	48 [22]	3.4 [86]	16 [0.29]	Black
30N-1086	60 [27]	3.4 [86]	20 [0.35]	Grey
30N-1087	75 [34]	3.4 [86]	25 [0.45]	Blue
30N-1088	111 [50]	3.4 [86]	37 [0.66]	Green
30N-1089	150 [68]	3.4 [86]	50 [0.90]	Purple
30N-1090	195 [89]	3.4 [86]	65 [1.17]	Tan
30N-1091	270 [123]	3.4 [86]	90 [1.62]	Yellow

[†] includes double deflection neoprene element.
^{††} applies to spring only.
 All springs have additional travel to solid equal to 50% of Rated Deflection.
 Hanger elements have straight line deflection curves.

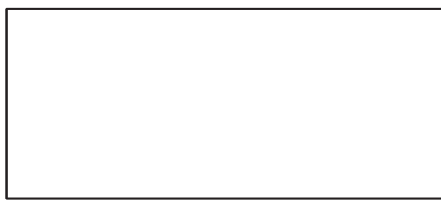
SPRING DATA

Spring OD in [mm]	Free Ht. in [mm]	Ratio K _x /K _y	Ratio OD/OH
2 7/8 [73]	5 1/4 - 6 [133 - 152]	0.65 - 0.85	0.96 - 1.27

CERTIFICATION DATA

TAG : _____
 UNIT : _____

PLAN VIEW OF HANGER LOCATION:



SPECIFIED DEFLECTION

1 :	6 :
2 :	7 :
3 :	8 :
4 :	9 :
5 :	10 :
Material for One Set : _____ Sets Required	

DWN : _____ CHKD: _____ DATE : _____

DWG NO. : _____